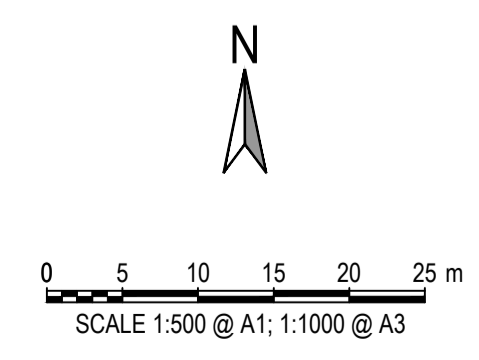




UNDERGROUND ELECTRICITY LINE	FUEL DRAINAGE
ELECTRIC MIDDLE	FUEL MIDDLE
OVERHEAD LINE WITH POLE	STORM DRAINAGE
OVERHEAD ELECTRIC	STORM DRAINAGE MIDDLE
UNDERGROUND HV ELECTRICITY LINE	COMBINED DRAINAGE
600V HIGH STREET LIGHT	COMBINED DRAINAGE MIDDLE
MINI FILLER	PRODUCT DRAINAGE
LVF ELECTRIC TRAFFIC CONTROL	PRODUCT DRAINAGE MIDDLE
TRAFFIC CONTROL MIDDLE	CHEMICAL LINE
ER	CHEMICAL MIDDLE
ER CHAMBER	ROAD GULLY
OVERHEAD LINE WITH POLE	WATER PAN
ENET	GULLY TRAP
ENET CHAMBER	SLICE VALVE
COMPS	FIRE HYDRANT
COMPS CHAMBER	WATER METER
VISION	SCOUR VALVE
VISION CHAMBER	PRESSURE RELEASE VALVE
FIBRE	AIR VALVE
FIBRE CHAMBER	NON-RETURN VALVE
ALIBRA TELECOM	FULL LINE/TURN
ALIBRA TELECOM CHAMBER	GAS SV
CATV	GAS LINE
CATV CHAMBER	GAS HIGH PRESSURE LINE
BT/ISAT	GL 00.00 GROUND LEVEL, FINISH - IN BATHS
BT/ISAT CHAMBER	GL 00.00 COVER LEVEL, FINISH - IN BATHS
SERO FIBRE	GL 00.00 INSET LEVEL, FINISH - IN BATHS
SERO FIBRE CHAMBER	GL50 DEPTH TO TOP OF SERVICE DUCT OR CABLE
UNIDENTIFIED SERVICE	UP ON MANHOLES - INSET LEVEL OF CHAMBER
UNIDENTIFIED CHAMBER	UNABLE TO OPEN
UNIDENTIFIED SERVICE	UNABLE TO OPEN
EARTH LINE AND RODS	UNABLE TO TRACE
TRAFFIC SENSORS	UNABLE TO TRACE
UTILITY POLE	UNABLE TO TRACE
UTILITIES CABINET	SURVEYED AREA

- ### SURVEY NOTES
- TOPOGRAPHICAL & GPR SURVEY CARRIED OUT BY 3RD PARTY SPECIALIST CONTRACTOR. DOB & ASSOCIATES TAKES NO RESPONSIBILITY FOR ACCURACY OF SURVEY INFORMATION.
 - MAIN CONTRACTOR TO ESTABLISH INDEPENDENTLY ORDNANCE DATUM ON SITE FOR LEVELS TO MAILIN HEAD DATUM AND CO-ORDINATES FOR SETTING OUT TO NATIONAL GRID.
 - MAIN CONTRACTOR TO VERIFY ALL UNDERGROUND SERVICES ON THE SITE INCLUDING ALL ANOMALIES NOTED ON THE GPR SURVEY AND TO TAKE ALL NECESSARY PRECAUTIONS PRIOR TO ANY EXCAVATIONS ON THE SITE.
 - REFER TO M&E ENGINEERS DRAWINGS FOR DIVERSION / DEMOLITION OF ALL UNDERGROUND ELECTRICAL CABLES / DUCTS, TELECOM DUCTS, LIGHTING DUCTS, OIL LINES ETC.

FOR INFORMATION ONLY

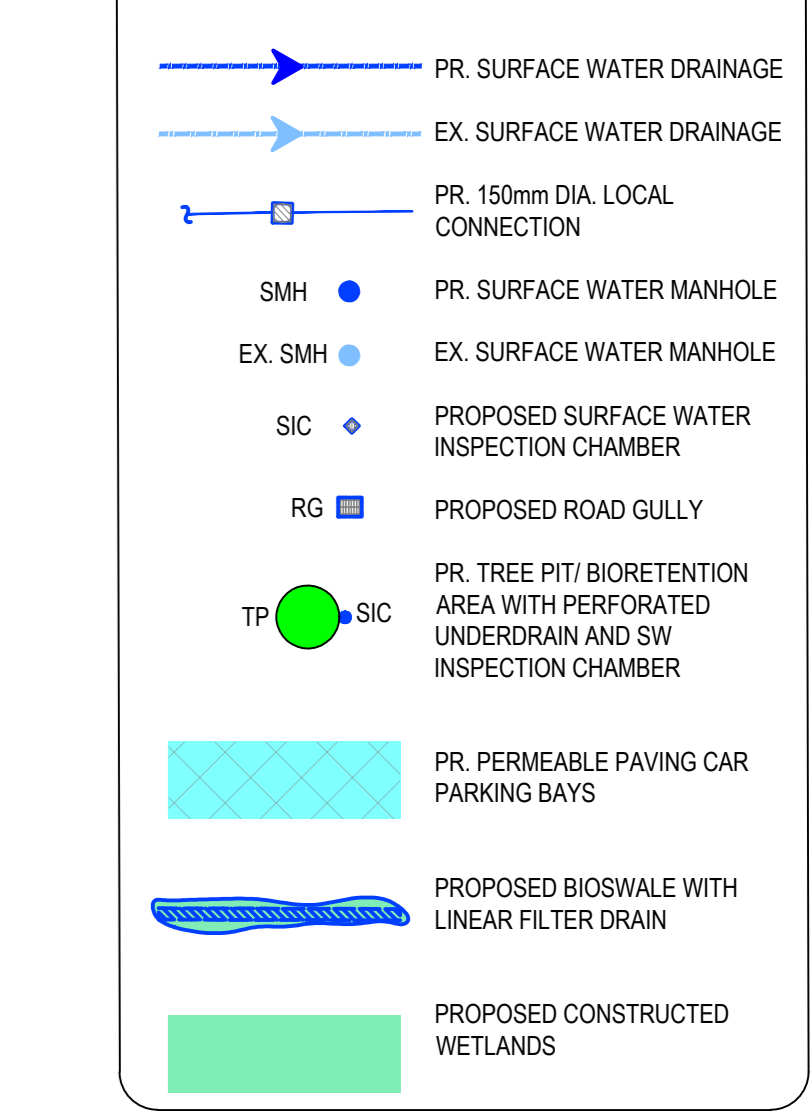


S2.P01	ISSUED FOR INFORMATION	11.07.2023	BB	PD
Rev.	Note	Date	Drawn	Check
DONNACHADH O'BRIEN & ASSOCIATES CONSULTING ENGINEERS		UNIT 5C ELM HOUSE MILLENNIUM PARK NAAS CO. KILDARE	P +353 45 984 042 INFO@DOB.AE WWW.DOB.AE	
Client:	KILDARE COUNTY COUNCIL ARCHITECTURAL SERVICES			
Project:	ST EVINS PARK, MONASTEREVIN, CO. KILDARE			
Drawing Title:	EXISTING UNDERGROUND SERVICES (GPR SURVEY)			
Drawn By:	Checked By:	Approved By:	Date:	Scale:
BB	PD	PD	JUNE 2023	1:500
Project Number:	Drawing Number:	Status Code:	Rev Number:	
DOB2305	2305-DOB-XX-SI-DR-C-0005	S2	P01	

NOTES:

- FOR STANDARD DOBA NOTES REFER TO DRAWING 2305-DOB-XX-SI-DR-S-001 & S-002
- REFER TO ARCHITECTS DRAWINGS FOR ALL SITE & APPLICATION BOUNDARIES
- THIS DRAWING IS TO BE READ IN CONJUNCTION WITH ALL OTHER RELEVANT ARCHITECTS & ENGINEER'S DRAWINGS AND SPECIFICATIONS
- USE FIGURED DIMENSIONS ONLY. DO NOT SCALE
- REFER TO SURVEY DRAWINGS FOR EXISTING SERVICES LAYOUTS AND MANHOLE INFORMATION
- ALL EXISTING SURFACES TO BE RENOVATED FOLLOWING DIVERSION OF SERVICES/CONSTRUCTION OF NEW SERVICES
- THE CONTRACTOR SHALL VERIFY ALL DIMENSIONS AND LEVELS WITH ARCHITECTURAL DRAWINGS PRIOR TO START OF CONSTRUCTION. ANY DISCREPANCIES TO BE NOTIFIED TO THE ENGINEER & ARCHITECT FOR RESOLUTION
- CONTRACTOR TO ENSURE ALL WATER & WASTEWATER RELATED WORKS ARE IN ACCORDANCE WITH THE IRISH WATER WATER INFRASTRUCTURE & WASTEWATER INFRASTRUCTURE CODE OF PRACTICE & STANDARD DETAILS DOCUMENTS
- TESTING OF ALL GRAVITY SEWERS AND MANHOLES TO BE IN ACCORDANCE WITH IRISH WATER CODE OF PRACTICE FOR WASTEWATER INFRASTRUCTURE SECTION 4.10 TESTING OF GRAVITY SEWERS & MANHOLES

SURFACE WATER LEGEND:



- NOTE 1:** MANHOLE COVER LEVELS ARE APPROXIMATE. ACTUAL COVER LEVELS SHOULD MATCH SURROUNDING FINISHED GROUND LEVELS U.N.O.
- NOTE 2:** PIPES WITH LESS COVER THAN:
 • 600mm FOR GRASSED AREAS
 • 900mm FOR FOOTPATHS
 • 1200mm FOR ROADS
 TO BE SURROUNDED IN 150mm CONCRETE PROTECTION IN ACCORDANCE WITH IRISH WATER STANDARD DETAIL STD-WW-07
- NOTE 3:** ALL MANHOLE COVERS LOCATED IN GRASS AREAS TO BE SURROUNDED (Min. 200mm SURROUND) IN 100mm THK C20/25 CONCRETE APRON

SURFACE WATER MATERIAL TO BE IN ACCORDANCE WITH GREATER DUBLIN REGIONAL CODE OF PRACTICE FOR DRAINAGE WORKS

- UNPLASTICISED P.V.C. PIPES MUST COMPLY WITH THE 'PROVISIONAL SPECIFICATION FOR SOIL PIPES, DRAINS, SEWERS & FITTINGS MADE OF UNPLASTICISED P.V.C.' ISSUED BY THE DEPARTMENT OF THE ENVIRONMENT
- B.S. 8005 PART 1 - SEWERAGE OR EQUIVALENT
- B.S. 8010 PART 2 - PIPELINES ON LAND OR EQUIVALENT DESIGN, CONSTRUCTION & INSTALLATION
- B.S. 9965 PART 6 CODE OF PRACTICES FOR THE INSTALLATION OF UNPLASTICISED P.V.C. PIPEWORK FOR GRAVITY DRAINS & SEWERS OR EQUIVALENT
- EN1401 - UNPLASTICISED P.V.C. SOWER PIPE SPECIFICATION
- B.S.4514 - UNPLASTICISED P.V.C. SOIL PIPE SPECIFICATION
- DoEHLG SITE DEVELOPMENT WORKS & SECTION H OF THE BUILDING REGULATIONS

SURFACE WATER DRAINAGE MANHOLE SCHEDULE

REF:	CL:	IL:	NOTES:
SMH 1.0	64.160	62.942	
SMH 1.1	64.176	62.912	
SMH 1.2	64.005	62.782	
SMH 1.3	64.196	62.664	
SMH 1.4	64.219	62.595	
SMH 1.5	64.000	62.567	
SMH 1.6	64.000	62.561	
SMH 1.7	64.098	62.561	Hydrobrake MH with H.L. overflow at 0.52m
SMH 1.8	64.091	62.553	
SMH 1.9	64.084	62.539	
SMH 1.10	64.007	62.497	
SMH 2.0	63.899	62.799	
SMH 2.1	64.033	62.749	
SMH 2.2	64.155	62.692	
SMH 3.0	63.950	62.871	WITH PERFORATED MANHOLE COVER
SMH 3.1	64.070	62.745	WITH PERFORATED MANHOLE COVER
SMH 3.2	64.040	62.692	WITH PERFORATED MANHOLE COVER
SMH 3.3	63.900	62.589	WITH PERFORATED MANHOLE COVER
EX. SMH	63.777	62.430	

FOR INFORMATION ONLY

S2.P03	ISSUED FOR INFORMATION	12.09.2023	EC	PD
S2.P02	ISSUED FOR INFORMATION	11.07.2023	EC	PD
S2.P01	ISSUED FOR INFORMATION	29.06.2023	BB	PD
Rev.	Note	Date	Drawn	Check

DONNACHADH O'BRIEN & ASSOCIATES CONSULTING ENGINEERS

UNIT 5C
ELM HOUSE
MELLENSTOWN PARK
NAAS
CO. KILDARE

PHONE: +353 45 964 042
INFO@DOBRIENENGINEERS.IE
WWW.DOBRIENENGINEERS.IE

Client: KILDARE COUNTY COUNCIL ARCHITECTURAL SERVICES

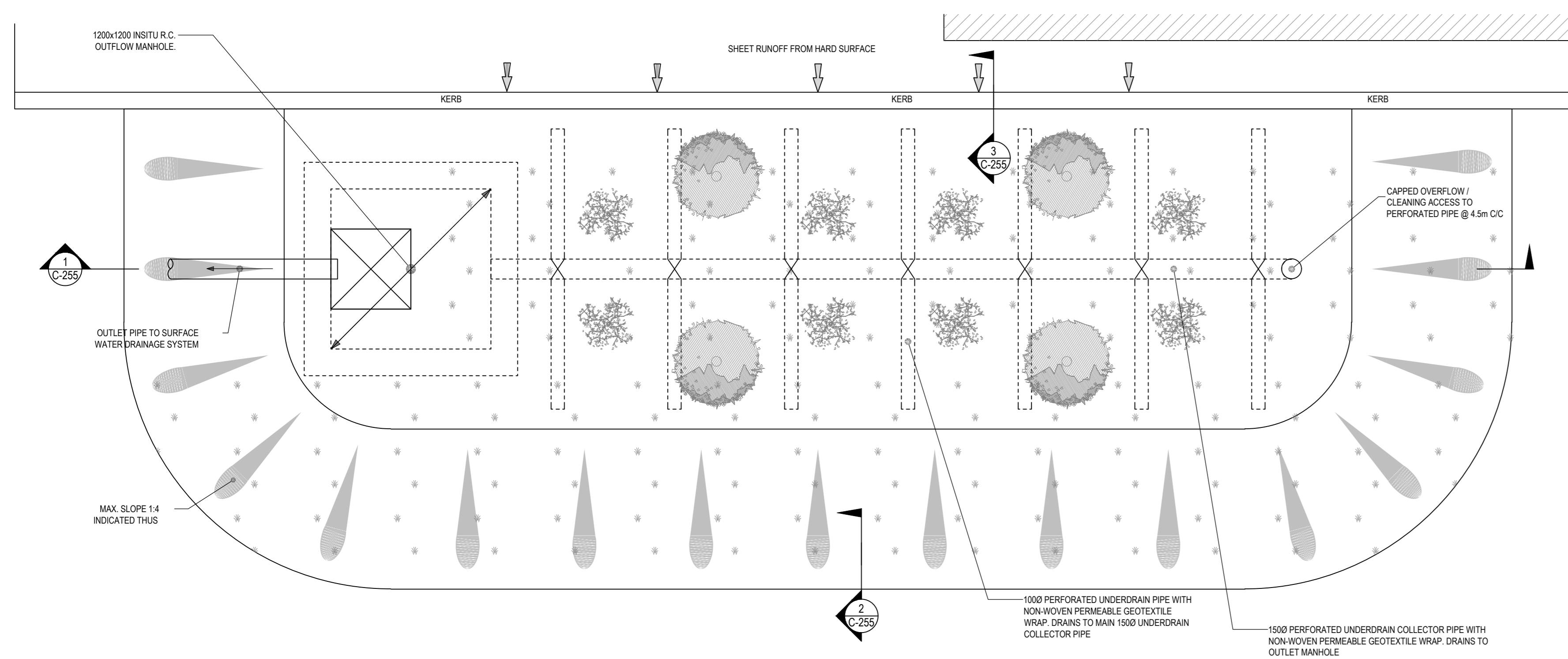
Project: ST EVINS PARK, MONASTEREVIN, CO. KILDARE

Drawing Title: PROPOSED SURFACE WATER DRAINAGE LAYOUT

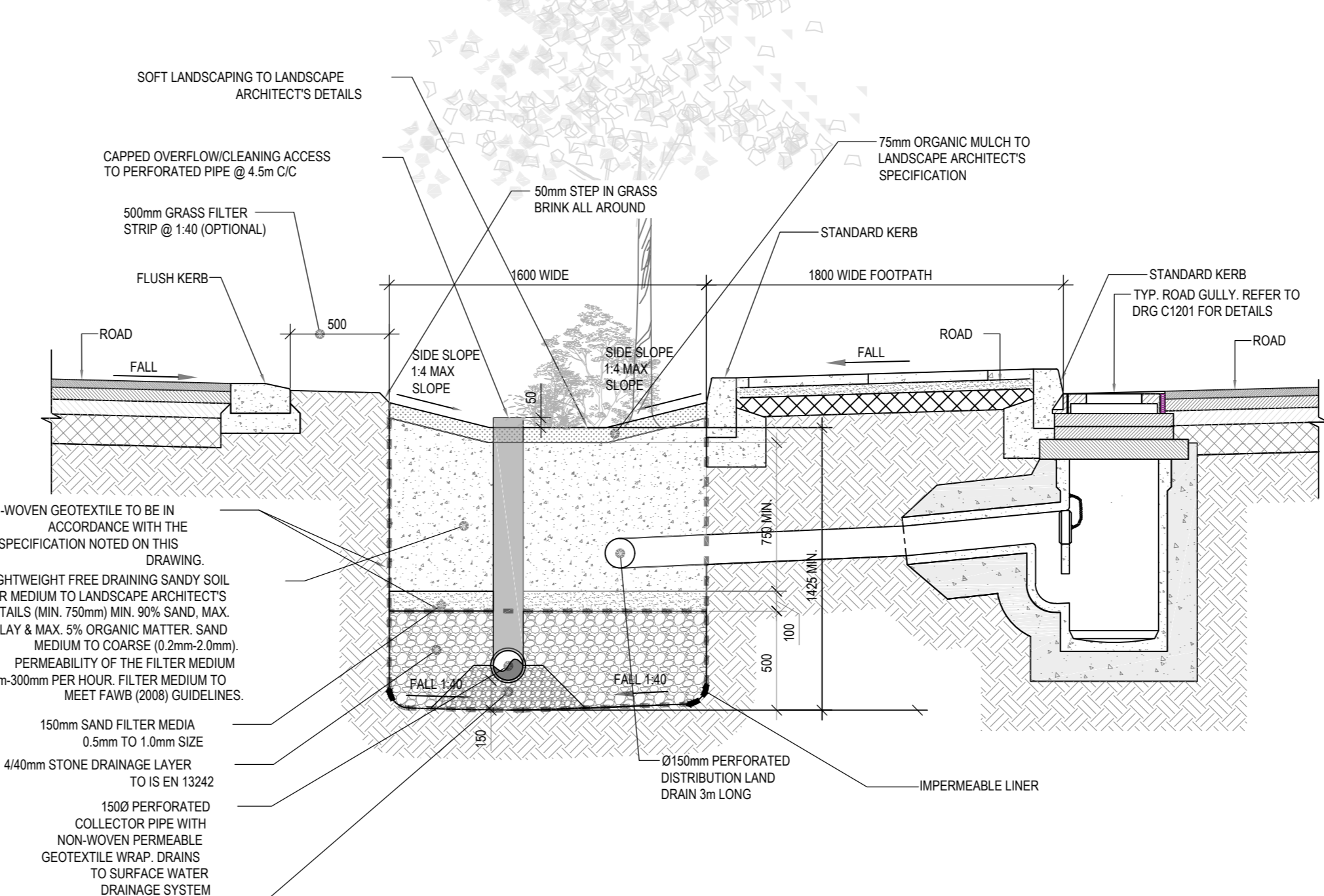
Drawn By: BB PD
Checked By: DOJ AD
Date: JUNE 2023
Scale: 1:250
Sheet Size: AD

Project Number: DOBA2305
Drawing Number: 2305-DOB-XX-SI-DR-C-0020
Status Code: S2
Rev Number: P03



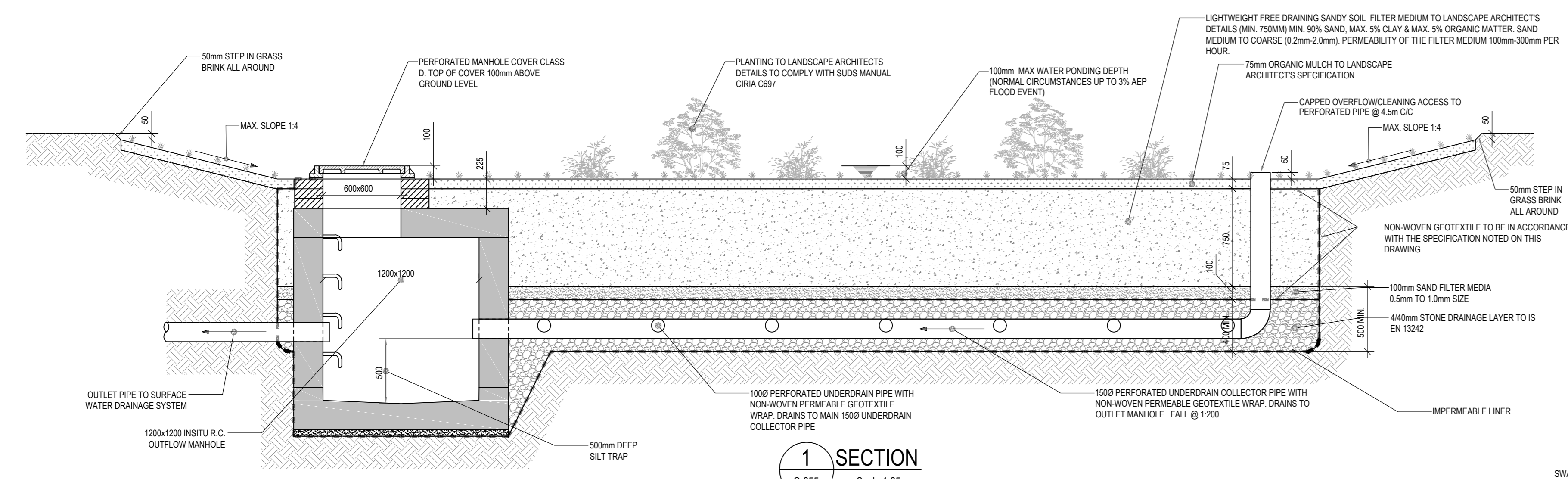


TYPICAL PLAN DETAIL OF BIO-RETENTION AREA FOR SURFACE WATER MANAGEMENT
SCALE 1:25

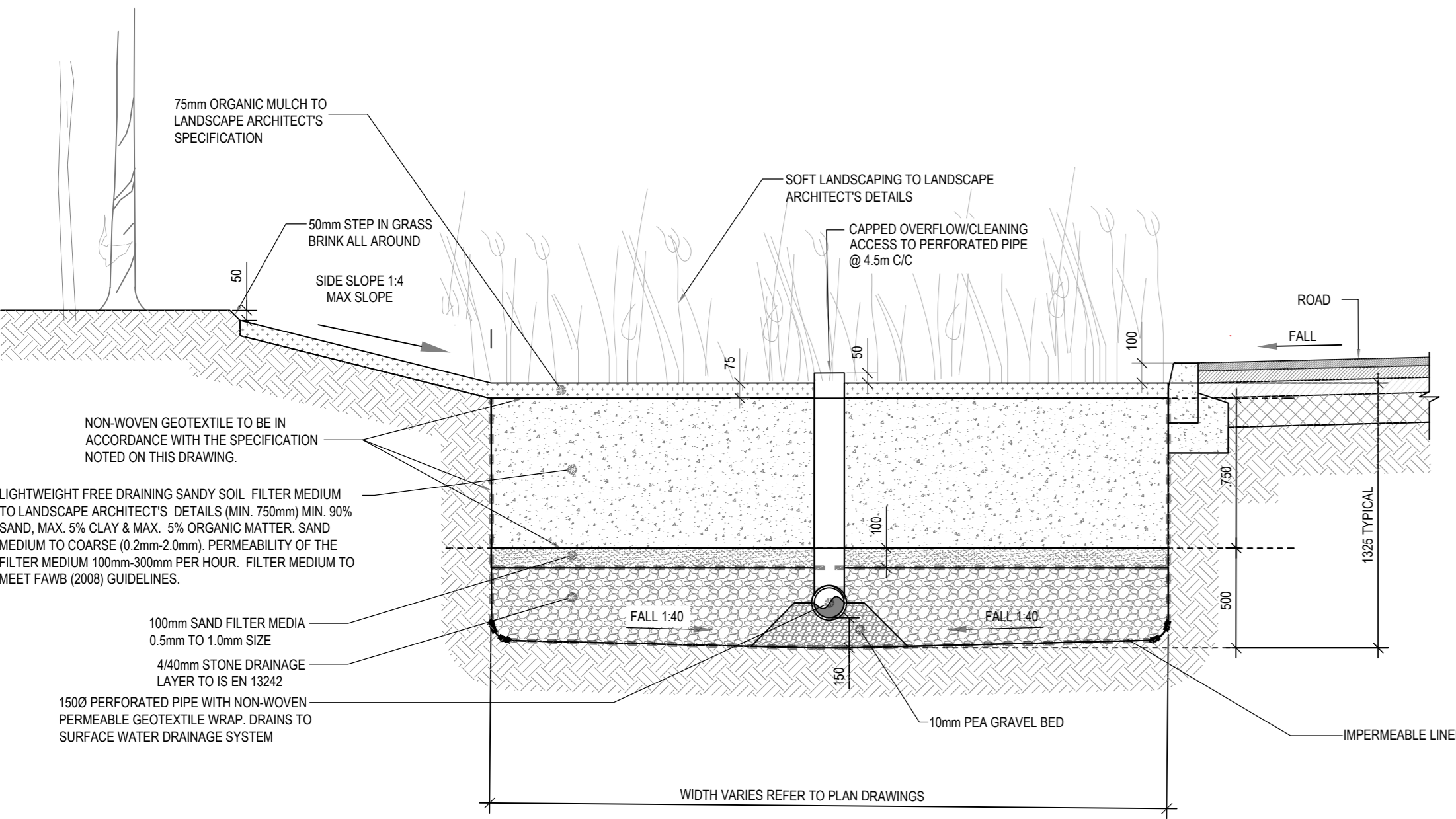


TYPICAL SECTION THROUGH THE TREE PIT AREA TAKING DRAINAGE FROM A HARDSTANDING AREA

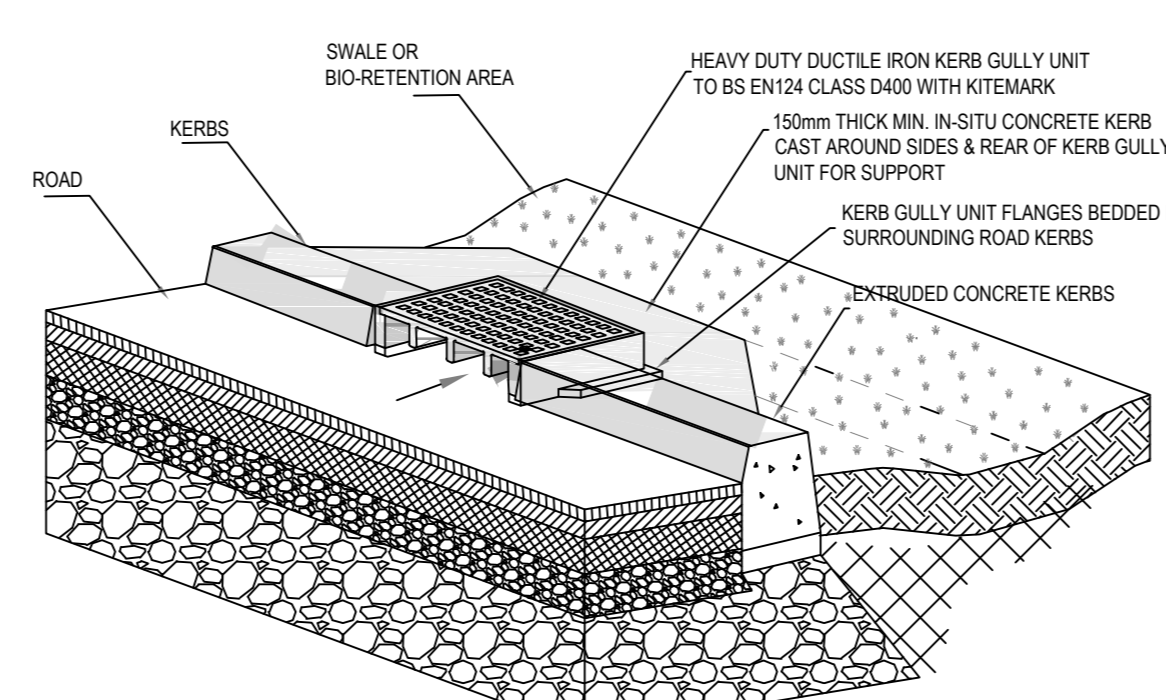
TYP SECTION
C-255 Scale 1:25



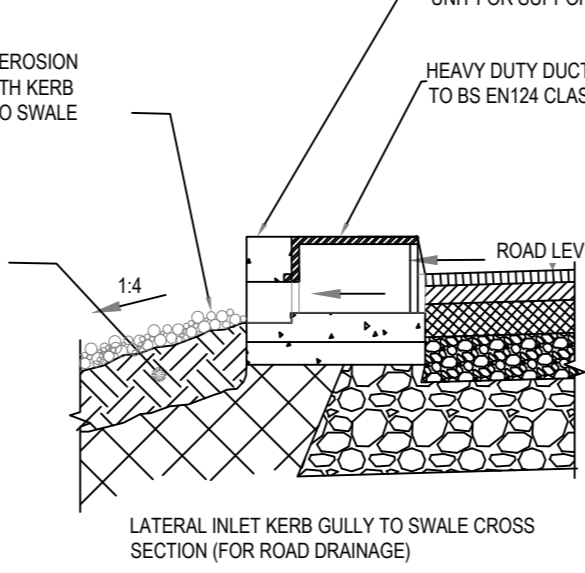
SECTION 1
C-255 Scale 1:25



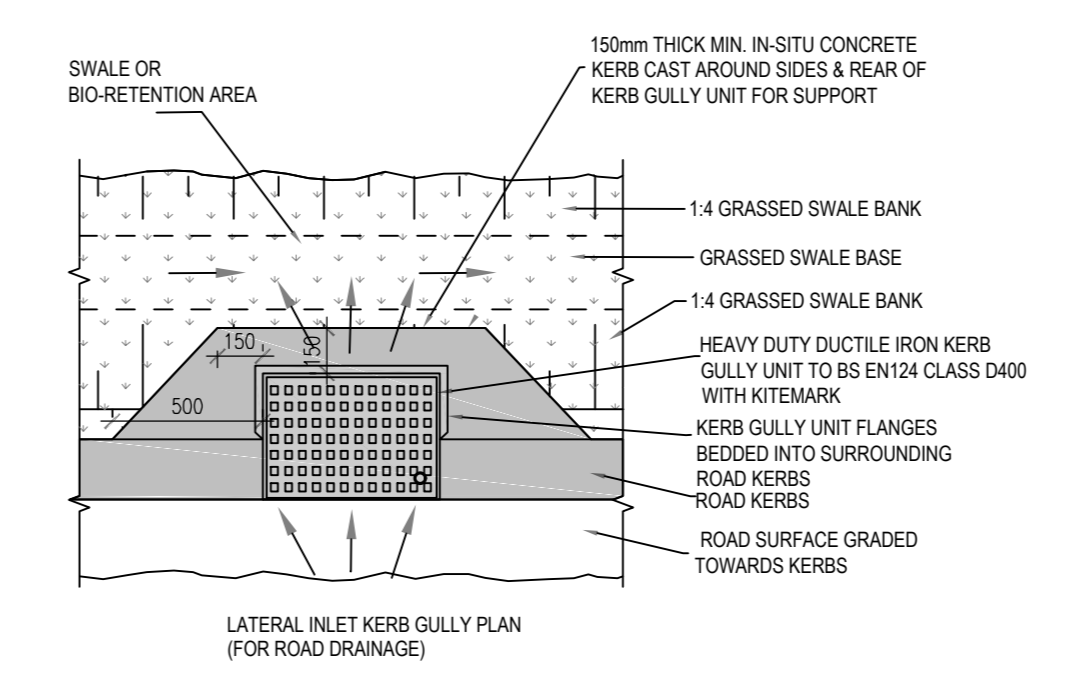
SECTION 2
C-255 Scale 1:25



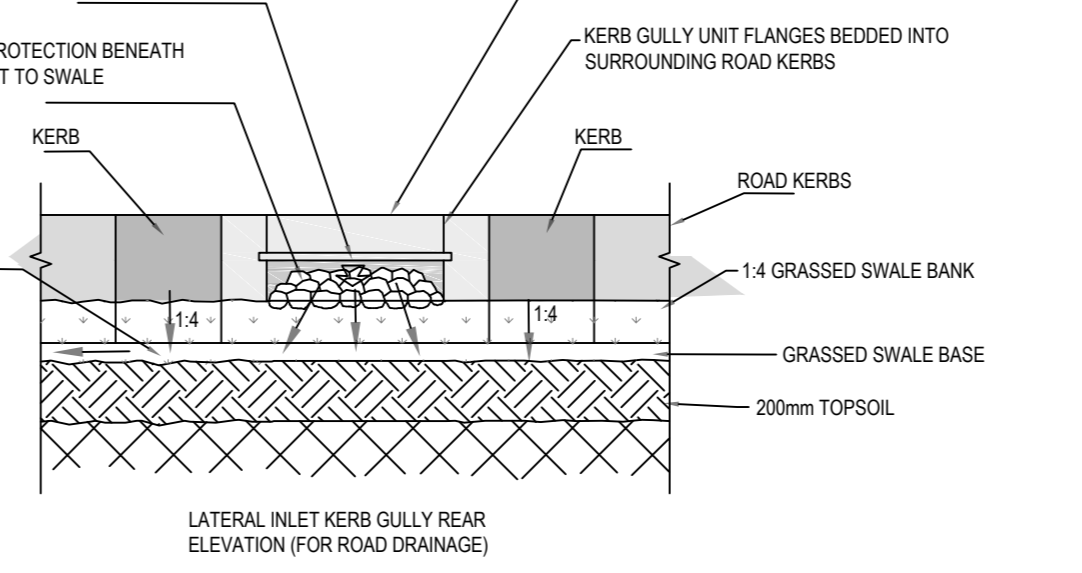
LATERAL INLET KERB GULLY SCHEMATIC (FOR ROAD DRAINAGE)



LATERAL INLET KERB GULLY TO SWALE CROSS SECTION (FOR ROAD DRAINAGE)



LATERAL INLET KERB GULLY PLAN (FOR ROAD DRAINAGE)



LATERAL INLET KERB GULLY REAR ELEVATION (FOR ROAD DRAINAGE)

SECTION 5
C-255 SCALE 1:25

MAINTENANCE REQUIREMENTS FOR BIORETENTION SYSTEMS & TREE PITS

REGULAR INSPECTIONS
INSPECT INFILTRATION SURFACES FOR SILTING AND PONDING. RECORD DE-WATERING TIME OF THE FACILITY AND ASSESS STANDING WATER LEVELS IN UNDERDRAIN (IF APPROPRIATE) TO DETERMINE IF MAINTENANCE IS NECESSARY. FREQUENCY - QUARTERLY
CHECK OPERATION OF UNDERDRAINS BY INSPECTION OF FLOWS AFTER RAIN. FREQUENCY - ANNUALLY
ASSESS PLANTS FOR DISEASE INFECTION, POOR GROWTH, INVASIVE SPECIES ETC AND REPLACE AS NECESSARY. FREQUENCY - QUARTERLY
INSPECT INLETS AND OUTLETS FOR BLOCKAGE. FREQUENCY - QUARTERLY

REGULAR MAINTENANCE
REMOVE LITTER AND SURFACE DEBRIS AND WEEDS. FREQUENCY - QUARTERLY (OR MORE FREQUENTLY FOR TIDINESS OR AESTHETIC REASONS)
REPLACE ANY PLANTS, TO MAINTAIN PLANTING DENSITY. FREQUENCY - AS REQUIRED
REMOVE SEDIMENT, LITTER AND DEBRIS BUILD-UP FROM AROUND INLETS OR FROM FOREBAYS. FREQUENCY - QUARTERLY TO BI-ANNUALLY
REFILL ANY HOLES OR SCOUR IN THE FILTER MEDIUM. IMPROVE EROSION PROTECTION IF REQUIRED. FREQUENCY - AS REQUIRED
REPAIR MINOR ACCUMULATIONS OF SILT BY RAKING AWAY SURFACE MULCH, SCARPING SURFACE OF MEDIUM AND REPLACING MULCH. FREQUENCY - AS REQUIRED

REMEDIATION ACTIONS
REMOVE AND REPLACE FILTER MEDIUM AND VEGETATION ABOVE. FREQUENCY - AS REQUIRED BUT LIKELY TO BE > 20 YEARS

ROOTSPACE SUPPORT STRUCTURE UNDER COVERED / GRILLED TREE PITS.

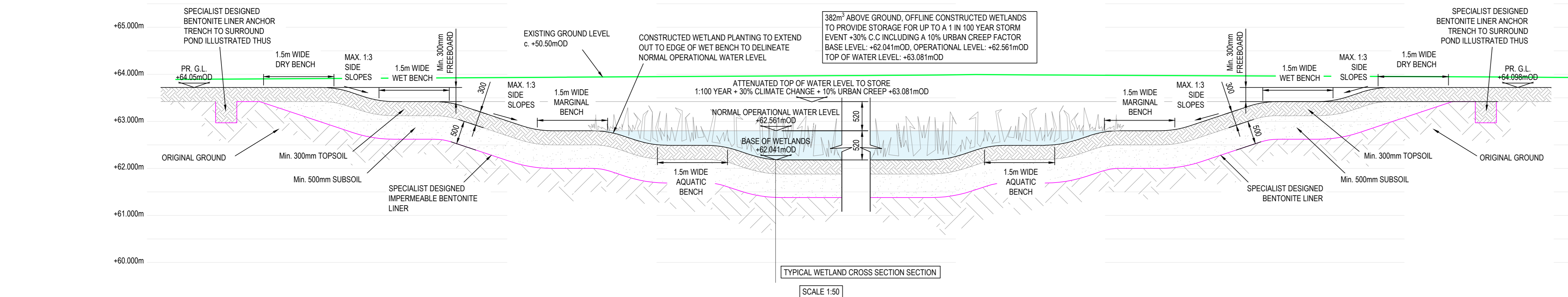
IN ALL COVERED COVERED / GRILLED TREE PITS AND IN ALL INSTANCES WHERE THE TREE PIT SOIL EXTENDS BENEATH THE FOOTPATH / PAVEMENT, A PROPRIETARY ROOTSPACE PAVEMENT SUPPORT SYSTEM BY GREENLEAF IRELAND, OR EQUAL APPROVED, SHALL BE INTEGRATED ACROSS THE FULL EXTENT OF THE TREE PIT. REFER TO LANDSCAPE ARCHITECTS DRAWING FOR TREE PIT SOIL EXTENTS.

NOTES:

- NON-WOVEN GEOTEXTILE SPECIFICATION THE GEOTEXTILE SHALL:
 - SUSTAIN A TENSILE LOAD OF NOT LESS THAN 5.0kN/m AT BREAK AND HAVE A MINIMUM FAILURE STRAIN OF 10%
 - WHEN DETERMINED IN ACCORDANCE WITH IS EN ISO 10319.
 - HAVE A MINIMUM PUNCTURE RESISTANCE OF 1200 N WHEN DETERMINED IN ACCORDANCE WITH IS EN ISO 12236.
 - HAVE A SIZE DISTRIBUTION OF PORE OPENINGS SUCH THAT THE APPARENT OPENING SIZE D90 WHEN DETERMINED IN ACCORDANCE WITH IS EN ISO 12956, OR OTHER APPROPRIATE TEST, IS LESS THAN 300 MICRONS
 - ALLOW WATER TO FLOW THROUGH IT, IN EITHER DIRECTION, NORMAL TO ITS PRINCIPAL PLANE AT A RATE OF NOT LESS THAN 10 l/m²/s UNDER A CONSTANT HEAD OF WATER OF 100mm AND A MAXIMUM BREAKTHROUGH HEAD OF 500mm WHEN DETERMINED IN ACCORDANCE WITH IS EN ISO 12956.
- PLAN AREA OF THE BIO-RETENTION AREA SHOULD BE 2-4% OF THE OVERALL AREA DRAINED. MAXIMUM WIDTH 10m UNLESS NOTED OTHERWISE.

MAINTENANCE OF SWALES & DETENTION BASINS:

- REGULAR GRASS MOWING.
- SEDIMENT REMOVED IF EQUAL OR MORE THAN 25mm DEEP
- CLEARANCE OF ANY BLOCKAGES TO INLETS & OUTLETS.
- SILT TRAP CLEANING.
- REPAIR COMPACTED OR DAMAGED AREAS.



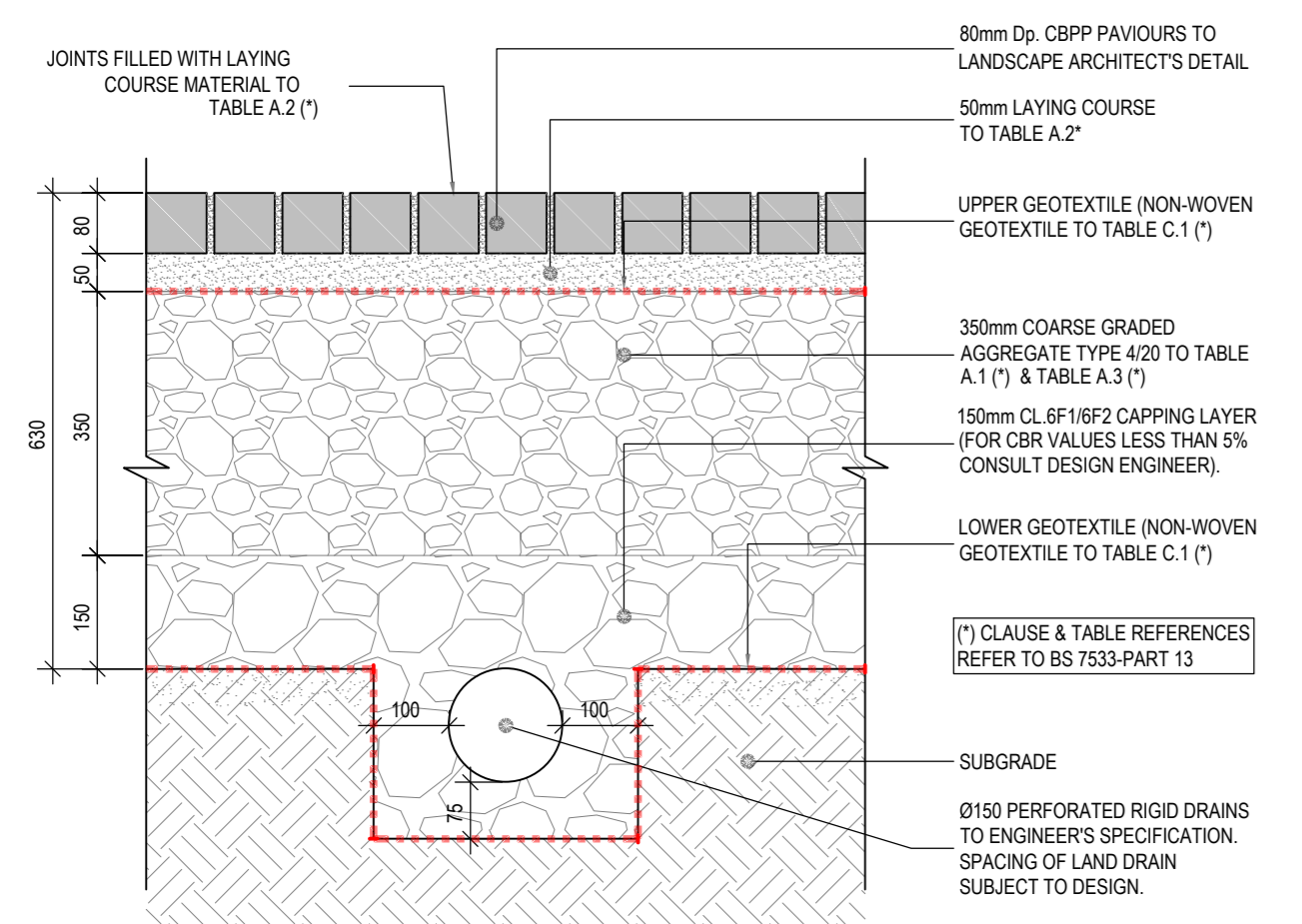
TYPICAL WETLAND CROSS SECTION SECTION
SCALE 1:50

FOR INFORMATION ONLY

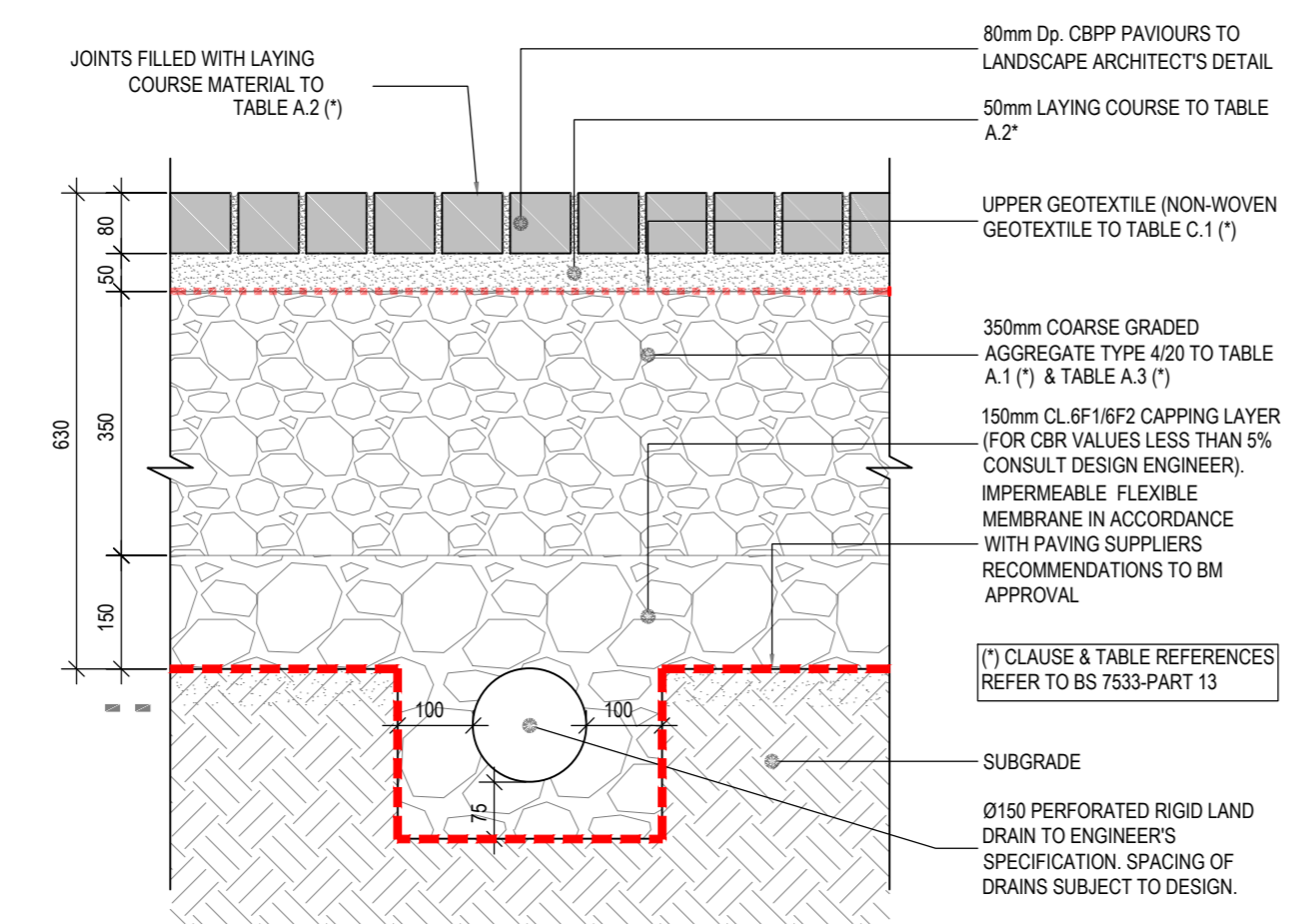
S2.P01 ISSUED FOR INFORMATION				11.07.2023	BB	PD
Rev.	Note	Date	Drawn	Check	AD	AD
1	Issue					

DONNACHADH O'BRIEN & ASSOCIATES CONSULTING ENGINEERS
 UNIT 5/C ELM HOUSE MILLENSTOWN PARK NAAS CO. KILDARE
 PHONE: +353 45 964 042
 INFO@DOBRIENENGINEERS.IE WWW.DOBRIENENGINEERS.IE

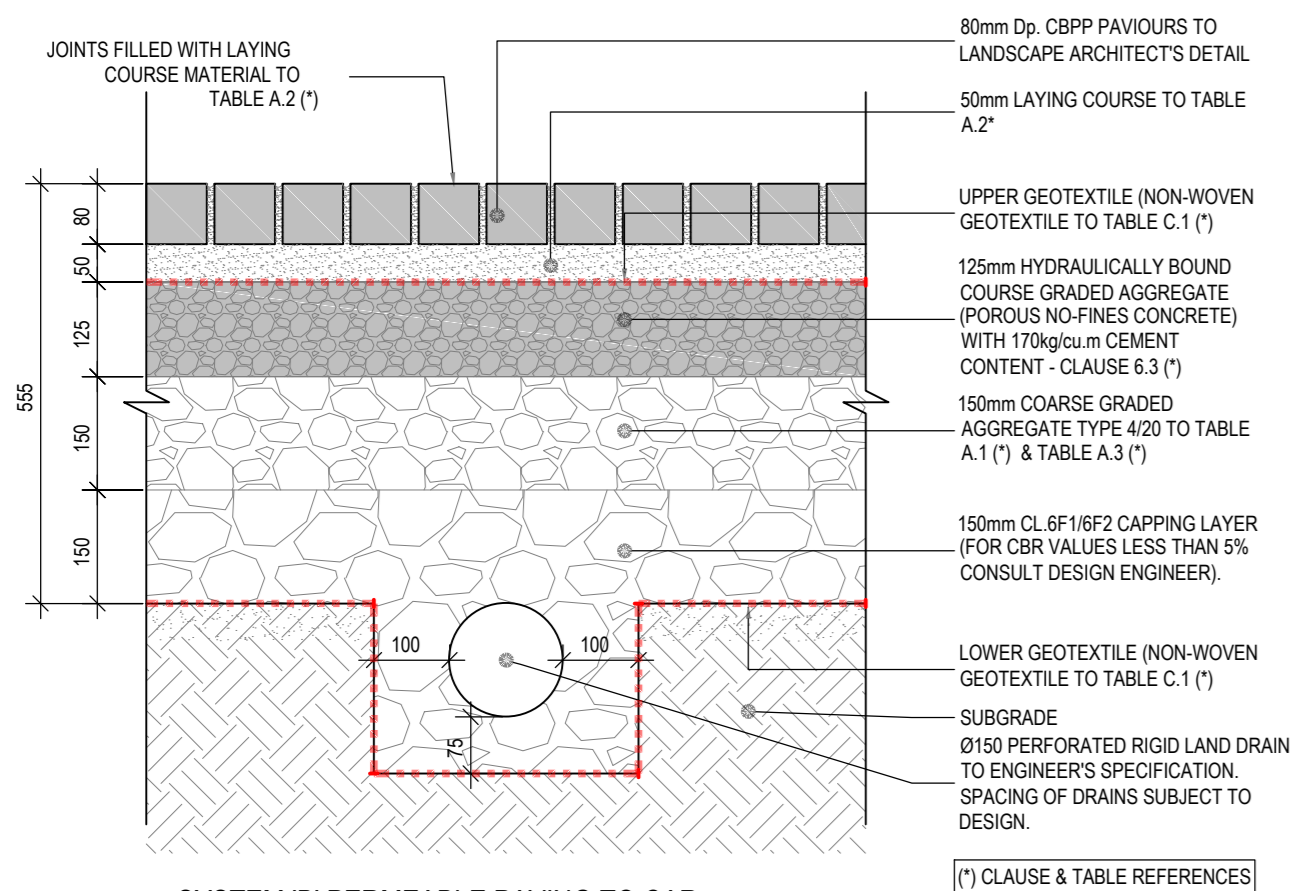
Client: KILDARE COUNTY COUNCIL ARCHITECTURAL SERVICES
 Project: ST EVINS PARK, MONASTEREVIN, CO. KILDARE
 Drawing Title: PROPOSED SUDS DETAILS SHEET 1
 Drawn By: MJC
 Checked By: PD
 Approved By: AD
 Date: JAN 2023
 Scale: 1:25
 Sheet Size: A0
 Project Number: DOBA2305
 Drawing Number: 2305-DOB-XX-SI-DR-C-0025
 Status Code: S2
 Rev Number: P01



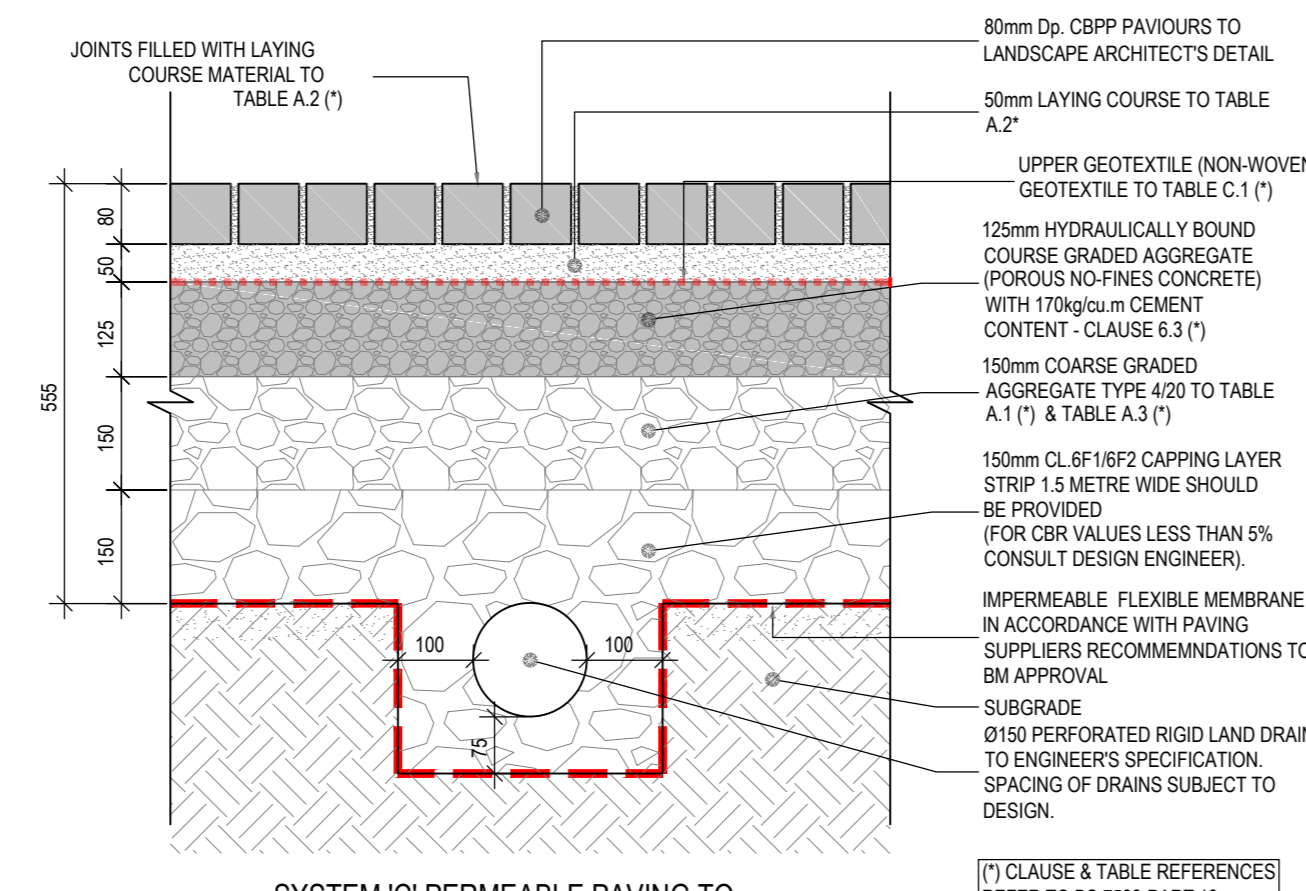
SYSTEM 'B' PERMEABLE PAVING TO PEDESTRIAN AREAS (PARTIAL INFILTRATION)
B1 SECTION
SCALE 1:10



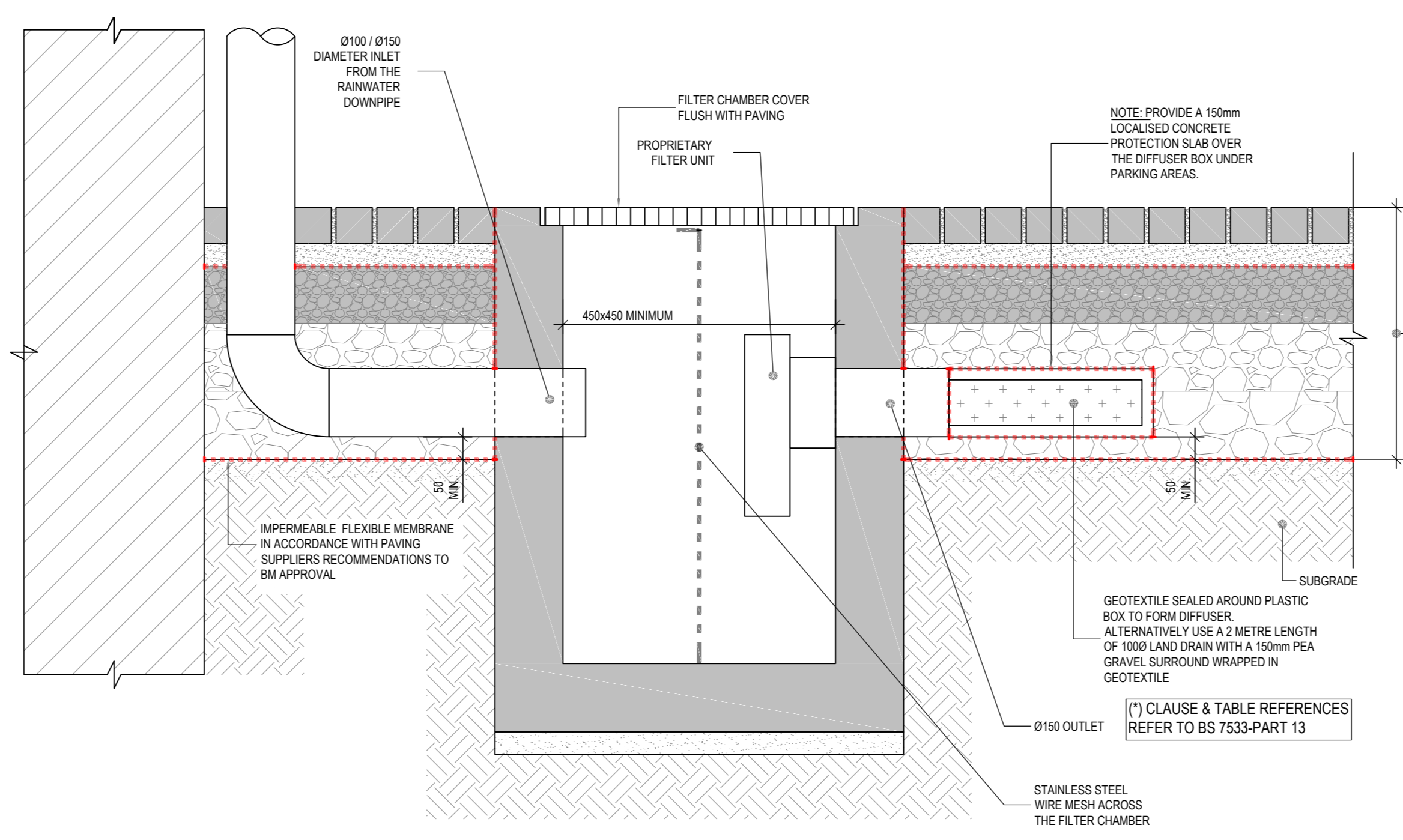
SYSTEM 'B' PERMEABLE PAVING TO PEDESTRIAN AREAS (NO INFILTRATION)
C1 SECTION
SCALE 1:10



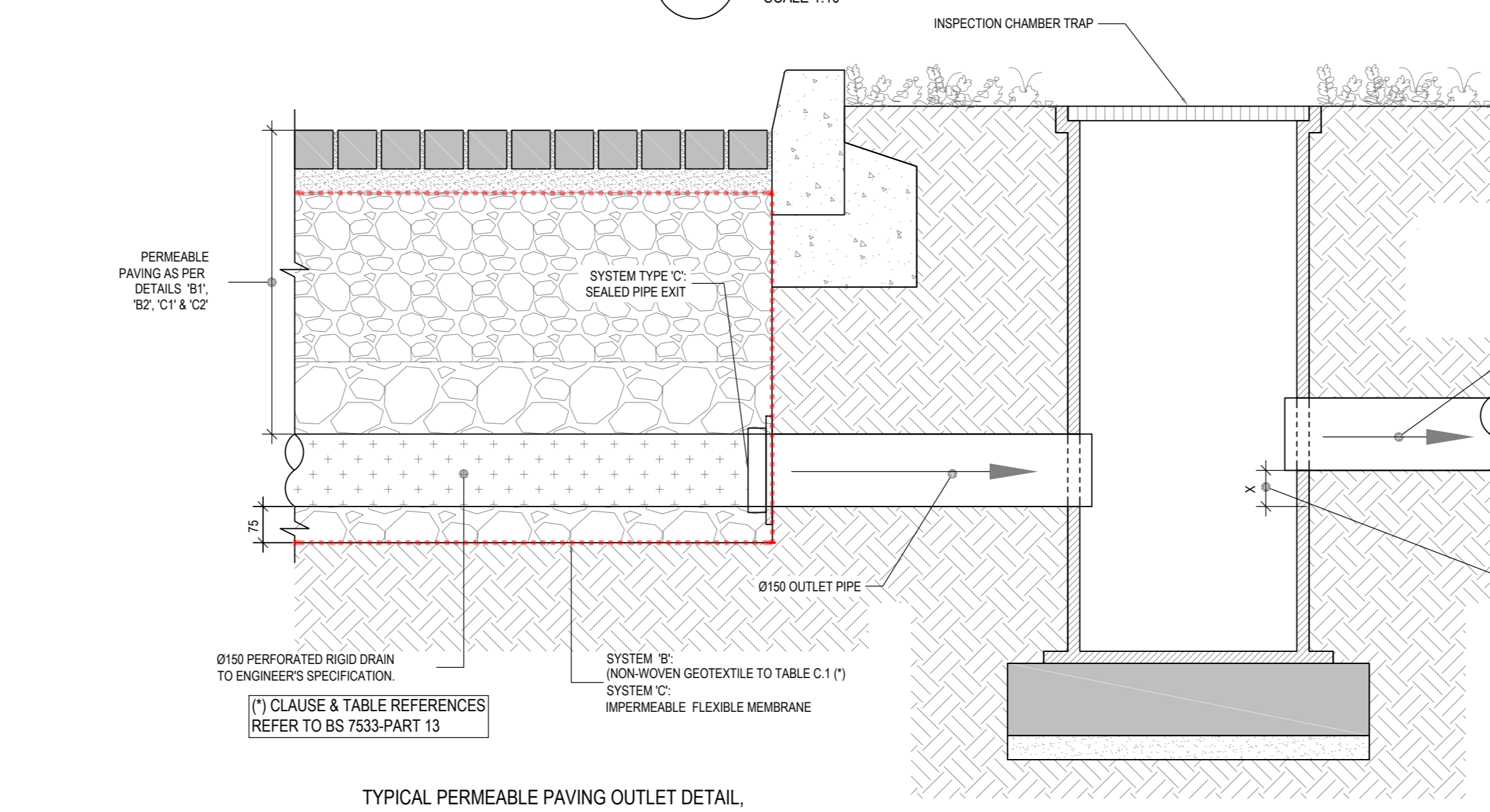
SYSTEM 'B' PERMEABLE PAVING TO CAR PARKING BAYS (PARTIAL INFILTRATION)
B2 SECTION
SCALE 1:10



SYSTEM 'C' PERMEABLE PAVING TO CARPARKING BAYS (NO INFILTRATION)
C2 SECTION
SCALE 1:10



TYPICAL PERMEABLE PAVING ROOF RAINWATER PIPE INLET, APPLICABLE TO SYSTEMS 'B', 'C' & 'C'
ND SECTION
SCALE 1:10



TYPICAL PERMEABLE PAVING OUTLET DETAIL, APPLICABLE TO SYSTEMS 'B' & 'C'
NT SECTION
SCALE 1:10

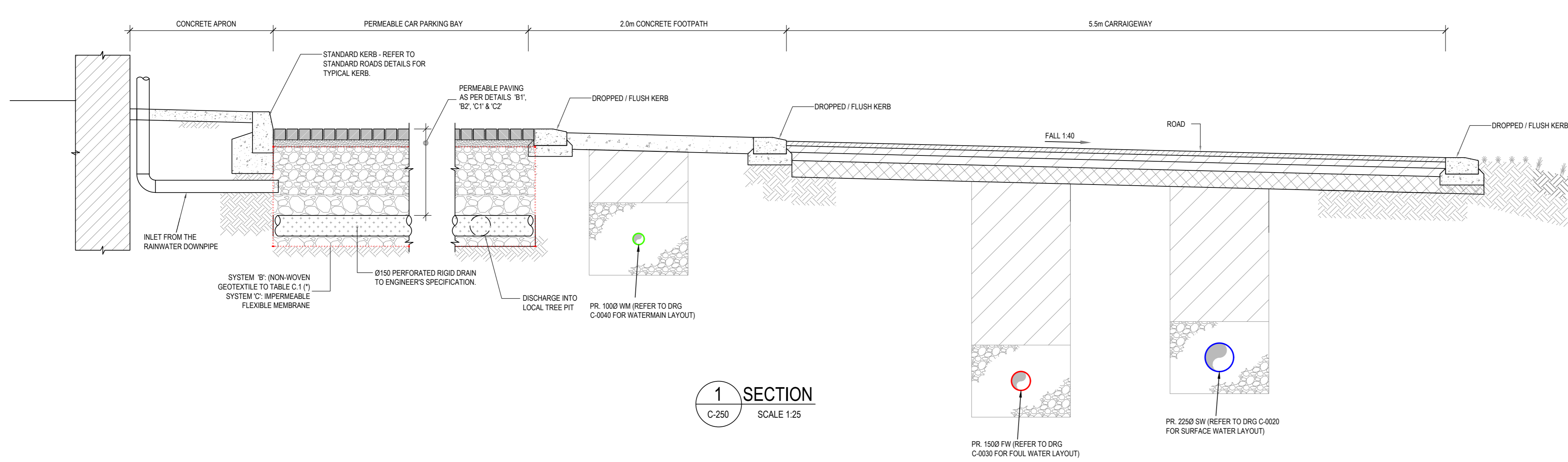
MAINTENANCE REQUIREMENTS FOR PERMEABLE PAVEMENTS

REGULAR MAINTENANCE
BRUSHING AND VACUUMING (STANDARD COSMETIC SWEEP OVER WHOLE SURFACE) ONCE A YEAR AFTER AUTUMN LEAF FALL, OR REDUCED FREQUENCY AS REQUIRED, BASED ON SITE-SPECIFIC OBSERVATIONS OF CLOGGING OR MANUFACTURER'S RECOMMENDATIONS - PAY PARTICULAR ATTENTION TO AREAS WHERE WATER RUNS ONTO PREVIOUS SURFACE FROM ADJACENT IMPERMEABLE AREAS AS THIS AREA IS MOST LIKELY TO COLLECT THE MOST SEDIMENT

REMEDIAL ACTIONS
REMEDIAL ACTION REQUIRED TO ANY DEPRESSIONS, RUTTING OR CRACKED OR BROKEN BLOCKS CONSIDERED DETRIMENTAL TO THE STRUCTURAL PERFORMANCE OR A HAZARD TO USERS, AND REPLACEMENT OF LOST JOINTING MATERIAL. FREQUENCY - AS REQUIRED

MONITORING
INITIAL INSPECTION: MONTHLY FOR THREE MONTHS AFTER INSTALLATION. INSPECT FOR EVIDENCE OF POOR OPERATION AND/OR WEED GROWTH AND IF REQUIRED, TAKE REMEDIAL ACTION

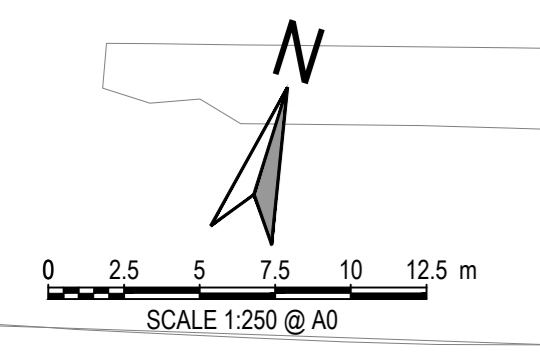
NOTE: ON THIS PROJECT TYPE 'B' SYSTEM WILL APPLY EXCEPT WITHIN 1.5m OF BUILDING FOUNDATION OR 1.5m OF THE SITE BOUNDARY.



1 SECTION
SCALE 1:25

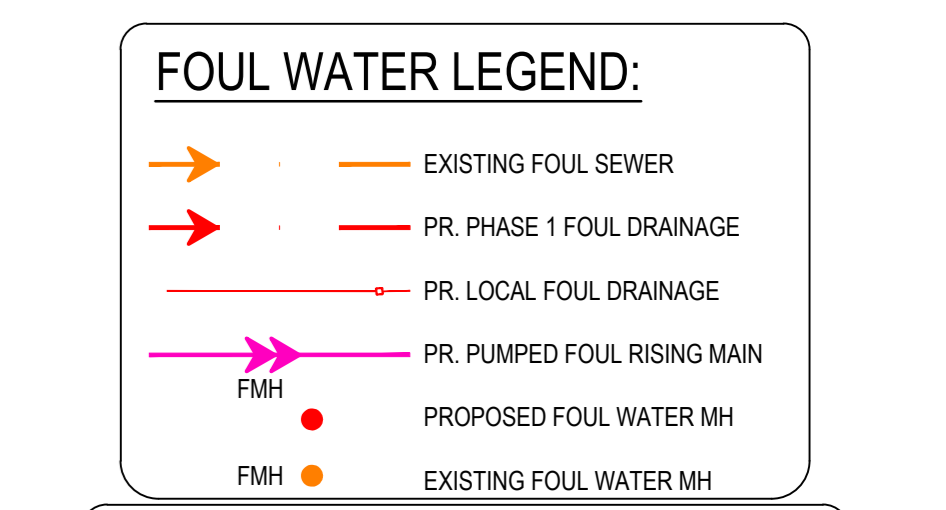
FOR INFORMATION ONLY

S2.P01	ISSUED FOR INFORMATION	11.07.2023	BB	PD
Rev.	Note	Date	Drawn	Check
1			AD	
DONNACHADH O'BRIEN & ASSOCIATES CONSULTING ENGINEERS UNIT 5/C ELM HOUSE MILLENNIUM PARK NAAS CO. KILDARE PHONE: +353 45 964 042 INFO@DOBRIENENGINEERS.IE WWW.DOBRIENENGINEERS.IE		Client: KILDARE COUNTY COUNCIL ARCHITECTURAL SERVICES Project: ST EVINS PARK, MONASTEREVIN, CO. KILDARE Drawing Title: PROPOSED SUDS DETAILS SHEET 2 Drawn By: M.C. PD Checked By: D.O. Approved By: D.O. Date: JAN 2023 Scale: 1:25 Sheet Size: A0 Project Number: DOBA2305 Drawing Number: 2305-DOB-XX-SI-DR-C-0026 Status Code: S2 Rev Number: P01		



NOTES:

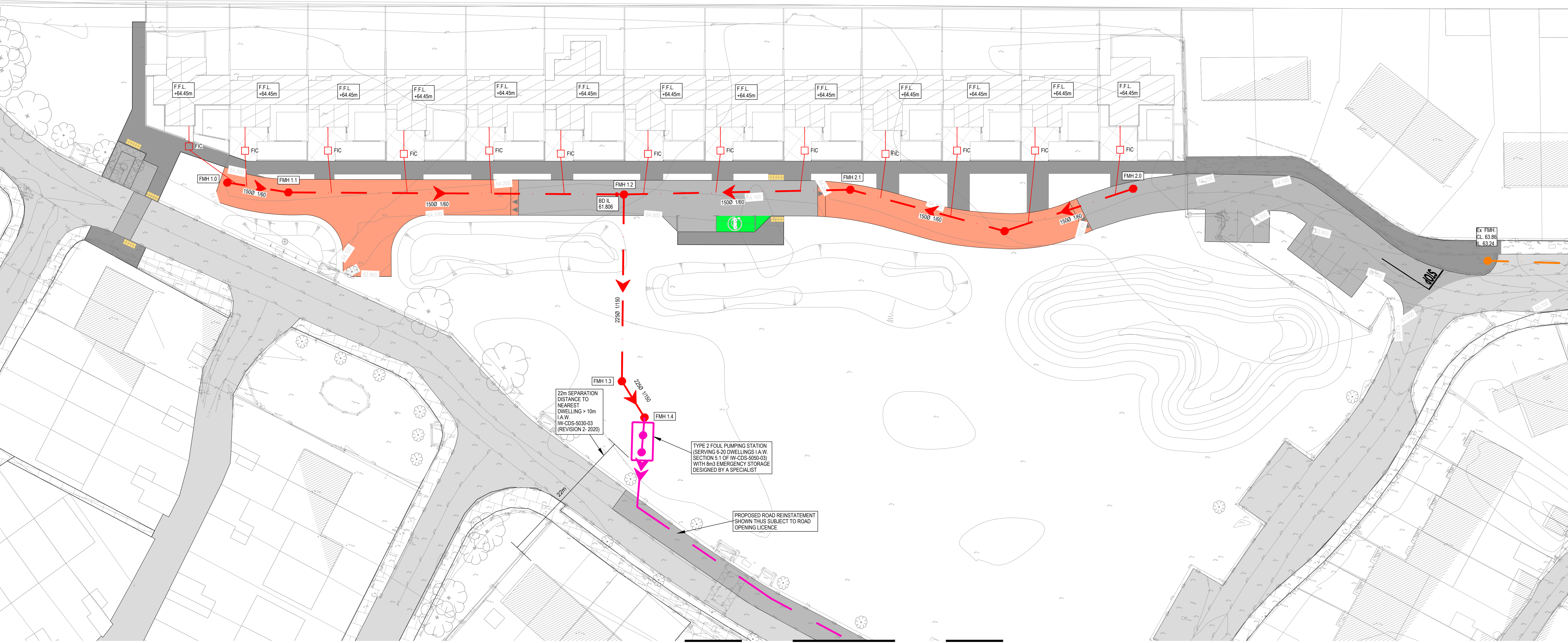
- FOR STANDARD DOBA NOTES REFER TO DRAWING 2305-DOB-XX-SI-DR-0001 & 0002
- REFER TO ARCHITECT'S DRAWINGS FOR ALL SITE & APPLICATION BOUNDARIES
- THIS DRAWING IS TO BE READ IN CONJUNCTION WITH ALL OTHER RELEVANT ARCHITECT'S & ENGINEER'S DRAWINGS AND SPECIFICATIONS
- USE FIGURED DIMENSIONS ONLY. DO NOT SCALE
- REFER TO SURVEY DRAWINGS FOR EXISTING SERVICES LAYOUTS AND MANHOLE INFORMATION
- ALL EXISTING SURFACES TO BE REINSTATED FOLLOWING DIVERSION OF SERVICES/CONSTRUCTION OF NEW SERVICES
- THE CONTRACTOR SHALL VERIFY ALL DIMENSIONS AND LEVELS WITH ARCHITECTURAL DRAWINGS PRIOR TO START OF CONSTRUCTION. ANY DISCREPANCIES TO BE NOTIFIED TO THE ENGINEER & ARCHITECT FOR RESOLUTION
- CONTRACTOR TO ENSURE ALL WATER & WASTEWATER RELATED WORKS ARE IN ACCORDANCE WITH THE IRISH WATER WATER INFRASTRUCTURE & WASTEWATER INFRASTRUCTURE CODE OF PRACTICE & STANDARD DETAIL DOCUMENTS
- TESTING OF ALL GRAVITY SEWERS AND MANHOLES TO BE IN ACCORDANCE WITH IRISH WATER CODE OF PRACTICE FOR WASTEWATER INFRASTRUCTURE SECTION 4.10 TESTING OF GRAVITY SEWERS & MANHOLES



- NOTE 1:** MANHOLE COVER LEVELS ARE APPROXIMATE. ACTUAL COVER LEVELS SHOULD MATCH SURROUNDING FINISHED GROUND LEVELS U.N.O.
- NOTE 2:** PIPES WITH LESS COVER THAN
- 600mm FOR GRASSSED AREAS
 - 900mm FOR FOOTPATHS
 - 1200mm FOR ROADS
- TO BE SURROUNDED IN 150mm CONCRETE PROTECTION IN ACCORDANCE WITH IRISH WATER STANDARD DETAIL STD-WW-07
- NOTE 3:** ALL MANHOLE COVERS LOCATED IN GRASS AREAS TO BE SURROUNDED (Min. 200mm SURROUND) IN 100mm THK C20/25 CONCRETE APRON

FOUL PIPE MATERIAL TO BE IN ACCORDANCE WITH IW-CDS-5030-03 SECTION 3.13.2

3.13.2 THERMOPLASTIC STRUCTURAL WALL PIPES, THERMOPLASTIC STRUCTURED WALL PIPES SHALL COMPLY WITH THE PROVISIONS OF IS EN 14761 (2007/2009). PIPES TO BE OF STIFFNESS CLASS BAWN 8 & TO BE CAPABLE OF DEMONSTRATING A JETTING RESISTANCE OF 2,600 PSI (180 BAR) WITHOUT DAMAGE WHEN TESTED IN ACCORDANCE WITH SECTION 3.3 OF IW-4-3-91 (2008). SEWER DIAMETERS: 150mm UP TO 450mm, SERVICE CONNECTIONS OF 100mm DIAMETER.

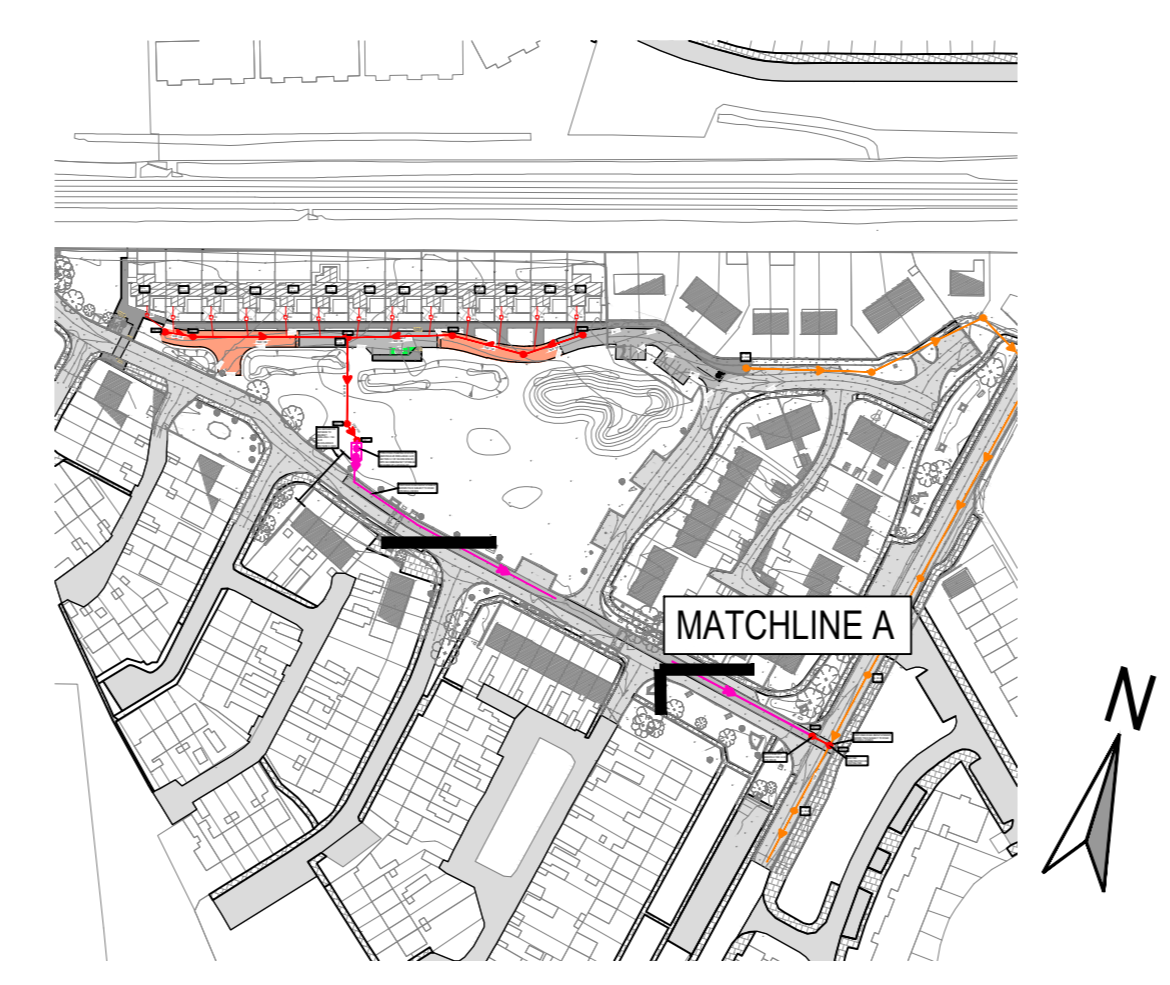
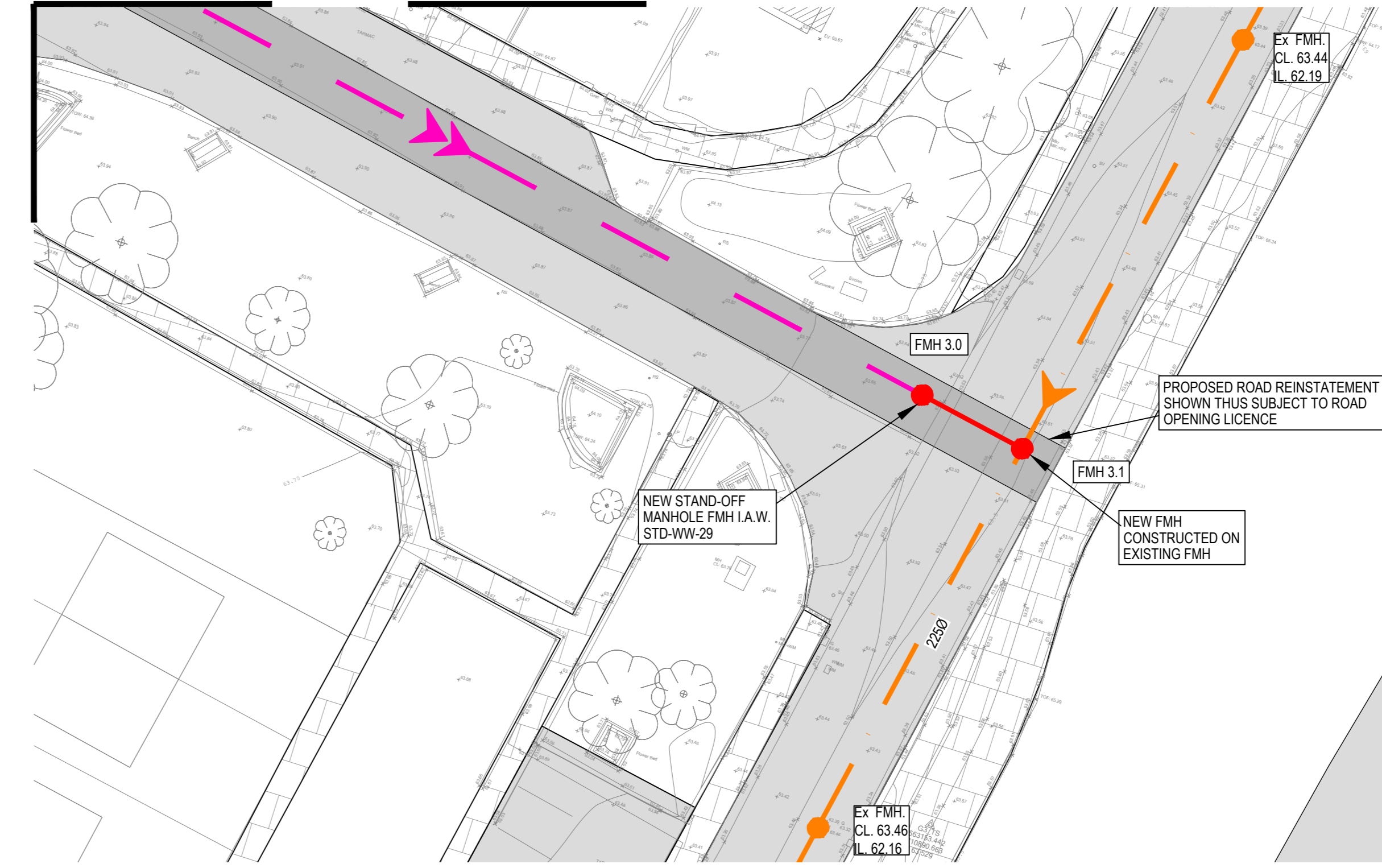


FOUL WATER DRAINAGE MANHOLE SCHEDULE

REF:	CL:	IL:	NOTES:
FMH 1.0	64.216	62.836	
FMH 1.1	64.231	62.676	
FMH 1.2	64.070	61.456	BD FROM FMH 1.1
FMH 1.3	63.721	61.262	
FMH 1.4	63.742	61.218	
FMH 2.0	64.232	62.807	
FMH 2.1	64.258	62.456	
FMH 2.2	64.252	62.042	
FMH 3.0	63.558	62.218	

FOR CONTINUATION SEE - MATCHLINE A

MATCHLINE A



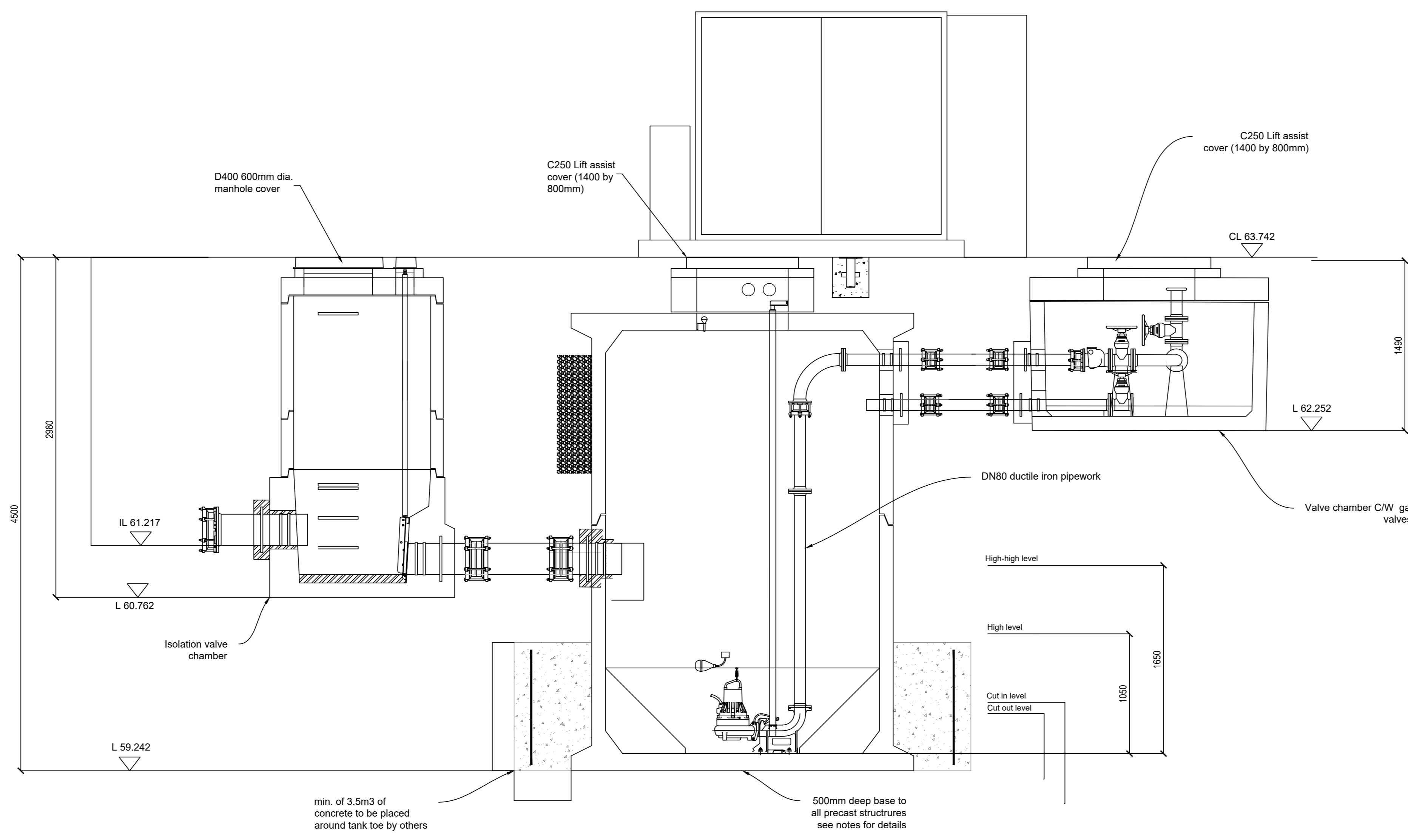
KEY PLAN N.T.S.

FOR INFORMATION ONLY

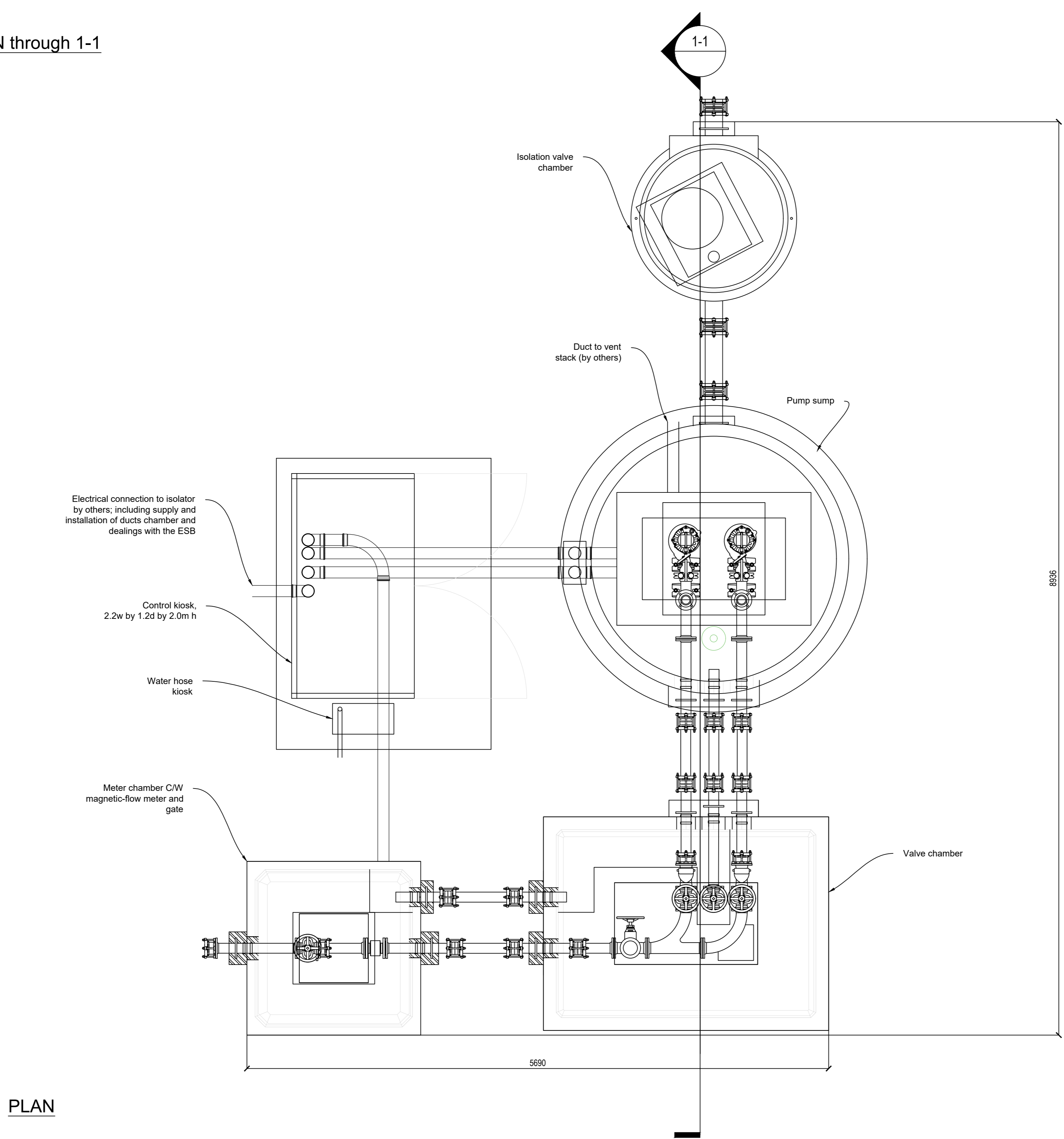
S2.P03	ISSUE UPDATED TO LANDSCAPE PLAN	08.09.2023	BB	PD
S2.P02	ISSUED FOR INFORMATION	11.07.2023	EC	PD
S2.P01	ISSUED FOR INFORMATION	29.06.2023	BB	PD
Rev.	Note	Date	Drawn	Check

Client: KILDARE COUNTY COUNCIL ARCHITECTURAL SERVICES
 Project: ST EVINS PARK, MONASTEREVIN, CO. KILDARE
 Drawing Title: PROPOSED WASTEWATER DRAINAGE LAYOUT
 Drawn By: BB AD
 Checked By: PD
 Approved By: DOB
 Date: JUNE 2023
 Scale: 1:250
 Sheet Size: A0
 Project Number: DOBA2305
 Drawing Number: 2305-DOB-XX-SI-DR-C-0030
 Status Code: S2
 Rev Number: P03

DONNACHADH O'BRIEN & ASSOCIATES CONSULTING ENGINEERS
 UNIT 5/C
 ELM HOUSE/SE
 MILLENSHIRE PARK
 NAAS
 CO. KILDARE
 PHONE: +353 45 964 042
 INFO@DOBRIENENGINEERS.IE
 WWW.DOBRIENENGINEERS.IE



SECTION through 1-1



PLAN

PROPOSED TYPE 2 FOUL PUMPING STATION PLAN AT GROUND LEVEL
SCALE 1:25

- TYPICAL MANHOLE NOTES:**
1. ALL DIMENSIONS ARE IN MILLIMETRES UNLESS NOTED OTHERWISE.
 2. ALL MANHOLES SHALL BE CONSTRUCTED IN ACCORDANCE WITH THE REQUIREMENTS OF THE S.I. STANDARD FOR MANHOLES AND ACCESS COVERS.
 3. ALL MANHOLES SHALL BE CONSTRUCTED IN ACCORDANCE WITH THE REQUIREMENTS OF THE S.I. STANDARD FOR MANHOLES AND ACCESS COVERS.
 4. ALL MANHOLES SHALL BE CONSTRUCTED IN ACCORDANCE WITH THE REQUIREMENTS OF THE S.I. STANDARD FOR MANHOLES AND ACCESS COVERS.
 5. ALL MANHOLES SHALL BE CONSTRUCTED IN ACCORDANCE WITH THE REQUIREMENTS OF THE S.I. STANDARD FOR MANHOLES AND ACCESS COVERS.
 6. ALL MANHOLES SHALL BE CONSTRUCTED IN ACCORDANCE WITH THE REQUIREMENTS OF THE S.I. STANDARD FOR MANHOLES AND ACCESS COVERS.
 7. ALL MANHOLES SHALL BE CONSTRUCTED IN ACCORDANCE WITH THE REQUIREMENTS OF THE S.I. STANDARD FOR MANHOLES AND ACCESS COVERS.
 8. ALL MANHOLES SHALL BE CONSTRUCTED IN ACCORDANCE WITH THE REQUIREMENTS OF THE S.I. STANDARD FOR MANHOLES AND ACCESS COVERS.
 9. ALL MANHOLES SHALL BE CONSTRUCTED IN ACCORDANCE WITH THE REQUIREMENTS OF THE S.I. STANDARD FOR MANHOLES AND ACCESS COVERS.
 10. ALL MANHOLES SHALL BE CONSTRUCTED IN ACCORDANCE WITH THE REQUIREMENTS OF THE S.I. STANDARD FOR MANHOLES AND ACCESS COVERS.
- TYPICAL SECURITY GATE & FENCING NOTES:**
1. ALL SECURITY GATES SHALL BE CONSTRUCTED IN ACCORDANCE WITH THE REQUIREMENTS OF THE S.I. STANDARD FOR SECURITY GATES AND FENCING.
 2. ALL SECURITY GATES SHALL BE CONSTRUCTED IN ACCORDANCE WITH THE REQUIREMENTS OF THE S.I. STANDARD FOR SECURITY GATES AND FENCING.
 3. ALL SECURITY GATES SHALL BE CONSTRUCTED IN ACCORDANCE WITH THE REQUIREMENTS OF THE S.I. STANDARD FOR SECURITY GATES AND FENCING.
 4. ALL SECURITY GATES SHALL BE CONSTRUCTED IN ACCORDANCE WITH THE REQUIREMENTS OF THE S.I. STANDARD FOR SECURITY GATES AND FENCING.
 5. ALL SECURITY GATES SHALL BE CONSTRUCTED IN ACCORDANCE WITH THE REQUIREMENTS OF THE S.I. STANDARD FOR SECURITY GATES AND FENCING.
 6. ALL SECURITY GATES SHALL BE CONSTRUCTED IN ACCORDANCE WITH THE REQUIREMENTS OF THE S.I. STANDARD FOR SECURITY GATES AND FENCING.
 7. ALL SECURITY GATES SHALL BE CONSTRUCTED IN ACCORDANCE WITH THE REQUIREMENTS OF THE S.I. STANDARD FOR SECURITY GATES AND FENCING.
 8. ALL SECURITY GATES SHALL BE CONSTRUCTED IN ACCORDANCE WITH THE REQUIREMENTS OF THE S.I. STANDARD FOR SECURITY GATES AND FENCING.
 9. ALL SECURITY GATES SHALL BE CONSTRUCTED IN ACCORDANCE WITH THE REQUIREMENTS OF THE S.I. STANDARD FOR SECURITY GATES AND FENCING.
 10. ALL SECURITY GATES SHALL BE CONSTRUCTED IN ACCORDANCE WITH THE REQUIREMENTS OF THE S.I. STANDARD FOR SECURITY GATES AND FENCING.

- TYPICAL P.C. SUBMERSIBLE PUMPING STATION NOTES:**
1. ALL DIMENSIONS ARE IN MILLIMETRES UNLESS NOTED OTHERWISE.
 2. ALL PRECAST STRUCTURES SHALL BE CONSTRUCTED IN ACCORDANCE WITH THE REQUIREMENTS OF THE S.I. STANDARD FOR PRECAST CONCRETE.
 3. ALL PRECAST STRUCTURES SHALL BE CONSTRUCTED IN ACCORDANCE WITH THE REQUIREMENTS OF THE S.I. STANDARD FOR PRECAST CONCRETE.
 4. ALL PRECAST STRUCTURES SHALL BE CONSTRUCTED IN ACCORDANCE WITH THE REQUIREMENTS OF THE S.I. STANDARD FOR PRECAST CONCRETE.
 5. ALL PRECAST STRUCTURES SHALL BE CONSTRUCTED IN ACCORDANCE WITH THE REQUIREMENTS OF THE S.I. STANDARD FOR PRECAST CONCRETE.
 6. ALL PRECAST STRUCTURES SHALL BE CONSTRUCTED IN ACCORDANCE WITH THE REQUIREMENTS OF THE S.I. STANDARD FOR PRECAST CONCRETE.
 7. ALL PRECAST STRUCTURES SHALL BE CONSTRUCTED IN ACCORDANCE WITH THE REQUIREMENTS OF THE S.I. STANDARD FOR PRECAST CONCRETE.
 8. ALL PRECAST STRUCTURES SHALL BE CONSTRUCTED IN ACCORDANCE WITH THE REQUIREMENTS OF THE S.I. STANDARD FOR PRECAST CONCRETE.
 9. ALL PRECAST STRUCTURES SHALL BE CONSTRUCTED IN ACCORDANCE WITH THE REQUIREMENTS OF THE S.I. STANDARD FOR PRECAST CONCRETE.
 10. ALL PRECAST STRUCTURES SHALL BE CONSTRUCTED IN ACCORDANCE WITH THE REQUIREMENTS OF THE S.I. STANDARD FOR PRECAST CONCRETE.
- TYPICAL TYPE 3 FPS CONTROL KIOSK NOTES:**
1. ALL DIMENSIONS ARE IN MILLIMETRES UNLESS NOTED OTHERWISE.
 2. ALL CONTROL KIOSKS SHALL BE CONSTRUCTED IN ACCORDANCE WITH THE REQUIREMENTS OF THE S.I. STANDARD FOR CONTROL KIOSKS.
 3. ALL CONTROL KIOSKS SHALL BE CONSTRUCTED IN ACCORDANCE WITH THE REQUIREMENTS OF THE S.I. STANDARD FOR CONTROL KIOSKS.
 4. ALL CONTROL KIOSKS SHALL BE CONSTRUCTED IN ACCORDANCE WITH THE REQUIREMENTS OF THE S.I. STANDARD FOR CONTROL KIOSKS.
 5. ALL CONTROL KIOSKS SHALL BE CONSTRUCTED IN ACCORDANCE WITH THE REQUIREMENTS OF THE S.I. STANDARD FOR CONTROL KIOSKS.
 6. ALL CONTROL KIOSKS SHALL BE CONSTRUCTED IN ACCORDANCE WITH THE REQUIREMENTS OF THE S.I. STANDARD FOR CONTROL KIOSKS.
 7. ALL CONTROL KIOSKS SHALL BE CONSTRUCTED IN ACCORDANCE WITH THE REQUIREMENTS OF THE S.I. STANDARD FOR CONTROL KIOSKS.
 8. ALL CONTROL KIOSKS SHALL BE CONSTRUCTED IN ACCORDANCE WITH THE REQUIREMENTS OF THE S.I. STANDARD FOR CONTROL KIOSKS.
 9. ALL CONTROL KIOSKS SHALL BE CONSTRUCTED IN ACCORDANCE WITH THE REQUIREMENTS OF THE S.I. STANDARD FOR CONTROL KIOSKS.
 10. ALL CONTROL KIOSKS SHALL BE CONSTRUCTED IN ACCORDANCE WITH THE REQUIREMENTS OF THE S.I. STANDARD FOR CONTROL KIOSKS.

- TYPICAL WET KIOSK NOTES:**
1. ALL DIMENSIONS ARE IN MILLIMETRES UNLESS NOTED OTHERWISE.
 2. ALL WET KIOSKS SHALL BE CONSTRUCTED IN ACCORDANCE WITH THE REQUIREMENTS OF THE S.I. STANDARD FOR WET KIOSKS.
 3. ALL WET KIOSKS SHALL BE CONSTRUCTED IN ACCORDANCE WITH THE REQUIREMENTS OF THE S.I. STANDARD FOR WET KIOSKS.
 4. ALL WET KIOSKS SHALL BE CONSTRUCTED IN ACCORDANCE WITH THE REQUIREMENTS OF THE S.I. STANDARD FOR WET KIOSKS.
 5. ALL WET KIOSKS SHALL BE CONSTRUCTED IN ACCORDANCE WITH THE REQUIREMENTS OF THE S.I. STANDARD FOR WET KIOSKS.
 6. ALL WET KIOSKS SHALL BE CONSTRUCTED IN ACCORDANCE WITH THE REQUIREMENTS OF THE S.I. STANDARD FOR WET KIOSKS.
 7. ALL WET KIOSKS SHALL BE CONSTRUCTED IN ACCORDANCE WITH THE REQUIREMENTS OF THE S.I. STANDARD FOR WET KIOSKS.
 8. ALL WET KIOSKS SHALL BE CONSTRUCTED IN ACCORDANCE WITH THE REQUIREMENTS OF THE S.I. STANDARD FOR WET KIOSKS.
 9. ALL WET KIOSKS SHALL BE CONSTRUCTED IN ACCORDANCE WITH THE REQUIREMENTS OF THE S.I. STANDARD FOR WET KIOSKS.
 10. ALL WET KIOSKS SHALL BE CONSTRUCTED IN ACCORDANCE WITH THE REQUIREMENTS OF THE S.I. STANDARD FOR WET KIOSKS.
- TYPICAL FLOW METER NOTES:**
1. ALL DIMENSIONS ARE IN MILLIMETRES UNLESS NOTED OTHERWISE.
 2. ALL FLOW METERS SHALL BE CONSTRUCTED IN ACCORDANCE WITH THE REQUIREMENTS OF THE S.I. STANDARD FOR FLOW METERS.
 3. ALL FLOW METERS SHALL BE CONSTRUCTED IN ACCORDANCE WITH THE REQUIREMENTS OF THE S.I. STANDARD FOR FLOW METERS.
 4. ALL FLOW METERS SHALL BE CONSTRUCTED IN ACCORDANCE WITH THE REQUIREMENTS OF THE S.I. STANDARD FOR FLOW METERS.
 5. ALL FLOW METERS SHALL BE CONSTRUCTED IN ACCORDANCE WITH THE REQUIREMENTS OF THE S.I. STANDARD FOR FLOW METERS.
 6. ALL FLOW METERS SHALL BE CONSTRUCTED IN ACCORDANCE WITH THE REQUIREMENTS OF THE S.I. STANDARD FOR FLOW METERS.
 7. ALL FLOW METERS SHALL BE CONSTRUCTED IN ACCORDANCE WITH THE REQUIREMENTS OF THE S.I. STANDARD FOR FLOW METERS.
 8. ALL FLOW METERS SHALL BE CONSTRUCTED IN ACCORDANCE WITH THE REQUIREMENTS OF THE S.I. STANDARD FOR FLOW METERS.
 9. ALL FLOW METERS SHALL BE CONSTRUCTED IN ACCORDANCE WITH THE REQUIREMENTS OF THE S.I. STANDARD FOR FLOW METERS.
 10. ALL FLOW METERS SHALL BE CONSTRUCTED IN ACCORDANCE WITH THE REQUIREMENTS OF THE S.I. STANDARD FOR FLOW METERS.

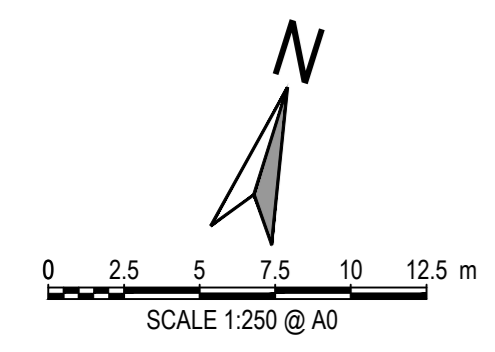
- TYPICAL FPS NOTES:**
1. ALL DIMENSIONS ARE IN MILLIMETRES UNLESS NOTED OTHERWISE.
 2. ALL FPS SHALL BE CONSTRUCTED IN ACCORDANCE WITH THE REQUIREMENTS OF THE S.I. STANDARD FOR FPS.
 3. ALL FPS SHALL BE CONSTRUCTED IN ACCORDANCE WITH THE REQUIREMENTS OF THE S.I. STANDARD FOR FPS.
 4. ALL FPS SHALL BE CONSTRUCTED IN ACCORDANCE WITH THE REQUIREMENTS OF THE S.I. STANDARD FOR FPS.
 5. ALL FPS SHALL BE CONSTRUCTED IN ACCORDANCE WITH THE REQUIREMENTS OF THE S.I. STANDARD FOR FPS.
 6. ALL FPS SHALL BE CONSTRUCTED IN ACCORDANCE WITH THE REQUIREMENTS OF THE S.I. STANDARD FOR FPS.
 7. ALL FPS SHALL BE CONSTRUCTED IN ACCORDANCE WITH THE REQUIREMENTS OF THE S.I. STANDARD FOR FPS.
 8. ALL FPS SHALL BE CONSTRUCTED IN ACCORDANCE WITH THE REQUIREMENTS OF THE S.I. STANDARD FOR FPS.
 9. ALL FPS SHALL BE CONSTRUCTED IN ACCORDANCE WITH THE REQUIREMENTS OF THE S.I. STANDARD FOR FPS.
 10. ALL FPS SHALL BE CONSTRUCTED IN ACCORDANCE WITH THE REQUIREMENTS OF THE S.I. STANDARD FOR FPS.

FOR INFORMATION ONLY

Rev	Note	Date	Drawn	Check
S2.P01	ISSUED FOR INFORMATION	11.07.2023	BB	PD

DONNACHADH O'BRIEN & ASSOCIATES CONSULTING ENGINEERS	UNIT 5C EL.M HOUSE MILLENSTOWN PARK NAAS CO. KILDARE	PHONE: +353 45 984 012 INFO@DOBRIENENGINEERS.IE WWW.DOBRIENENGINEERS.IE
--	--	--

Client:	KILDARE COUNTY COUNCIL ARCHITECTURAL SERVICES
Project:	ST EVINS PARK, MONASTEREVIN, CO. KILDARE
Drawing Title:	PR. WASTEWATER PUMP STATION (WwPS) DETAILS
Drawn By:	BB
Checked By:	PD
Approved By:	DOB
Date:	JULY 23
Scale:	1:20
Sheet Size:	A0
Project Number:	DOB2305
Drawing Number:	2305-DOB-XX-SI-DR-C-0035
Status Code:	S2
Rev Number:	P01



NOTES:

- FOR STANDARD DOBA NOTES REFER TO DRAWING 2305-DOB-XX-SI-DR-S-001 & S-002
- REFER TO ARCHITECTS DRAWINGS FOR ALL SITE & APPLICATION BOUNDARIES
- THIS DRAWING IS TO BE READ IN CONJUNCTION WITH ALL OTHER RELEVANT ARCHITECTS & ENGINEER'S DRAWINGS AND SPECIFICATIONS
- USE FIGURED DIMENSIONS ONLY. DO NOT SCALE
- REFER TO SURVEY DRAWINGS FOR EXISTING SERVICES LAYOUTS AND MANHOLE INFORMATION
- ALL EXISTING SURFACES TO BE RENISTATED FOLLOWING DIVERSION OF SERVICES/CONSTRUCTION OF NEW SERVICES
- THE CONTRACTOR SHALL VERIFY ALL DIMENSIONS AND LEVELS WITH ARCHITECTURAL DRAWINGS PRIOR TO START OF CONSTRUCTION. ANY DISCREPANCIES TO BE NOTIFIED TO THE ENGINEER & ARCHITECT FOR RESOLUTION
- CONTRACTOR TO ENSURE ALL WATER & WASTEWATER RELATED WORKS ARE IN ACCORDANCE WITH THE IRISH WATER WATER INFRASTRUCTURE & WASTEWATER INFRASTRUCTURE CODE OF PRACTICE & STANDARD DETAILS DOCUMENTS
- TESTING OF ALL GRAVITY SEWERS AND MANHOLES TO BE IN ACCORDANCE WITH IRISH WATER CODE OF PRACTICE FOR WASTEWATER INFRASTRUCTURE SECTION 4.10 TESTING OF GRAVITY SEWERS & MANHOLES

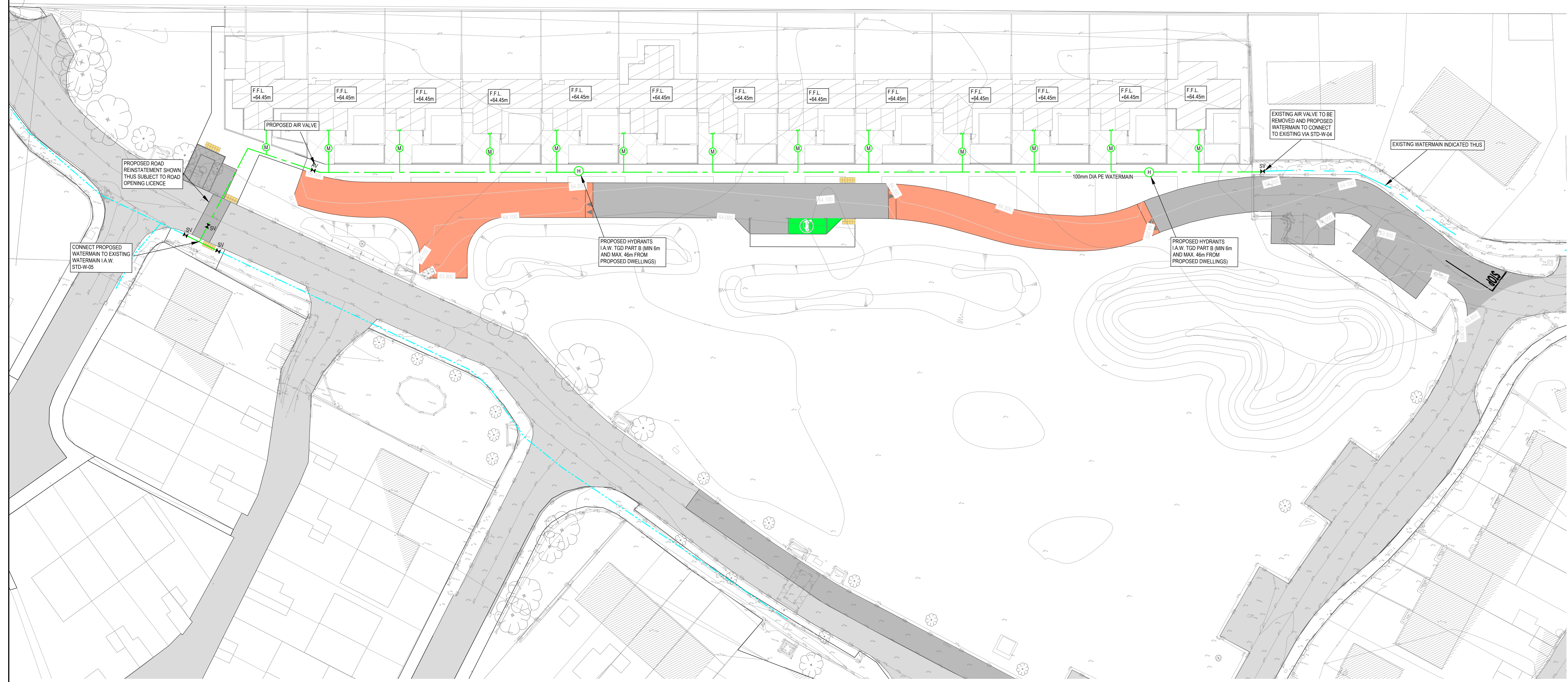
LEGEND:

- PR. 100mm Ø WATERMAIN
- EXISTING WATERMAIN
- PR. HYDRANT
- PR. BOUNDARY BOX
- PR. AIR VALVE
- PR. SLUICE VALVE

- NOTE 1:** MANHOLE COVER LEVELS ARE APPROXIMATE. ACTUAL COVER LEVELS SHOULD MATCH SURROUNDING FINISHED GROUND LEVELS U.N.O.
- NOTE 2:** PIPES WITH LESS COVER THAN
- 600mm FOR GRASSED AREAS
 - 900mm FOR FOOTPATHS
 - 1200mm FOR ROADS
- TO BE SURROUNDED IN 150mm CONCRETE PROTECTION IN ACCORDANCE WITH IRISH WATER STANDARD DETAIL STD-WW-07
- NOTE 3:** ALL MANHOLE COVERS LOCATED IN GRASS AREAS TO BE SURROUNDED (Min. 200mm SURROUND) IN 100mm THK C20/25 CONCRETE APRON

WATERMAIN MATERIAL TO BE IN ACCORDANCE WITH IW-CDS-5020-03 SECTION 3.9.2

13.2 MDPE & HDPE PIPES SHALL BE OF A TYPE PE-80 & HAVE AN SDR-11 OR SDR-17 RATING. THEY SHALL CONFORM TO IS EN 12201 PART 1 & PART 2 PLASTIC SYSTEMS FOR WATER SUPPLY, DRAINAGE & SEWERAGE UNDER PRESSURE - PART 1, GENERAL & PART 2, PIPES & IS EN 12201-3 PLASTIC SYSTEMS FOR WATER SUPPLY, DRAINAGE & SEWERAGE UNDER PRESSURE - PART 3, FITTINGS.



FOR INFORMATION ONLY

S2.P03	ISSUE UPDATED TO LANDSCAPE PLAN	08.09.2023	BB	PD
S2.P02	ISSUED FOR INFORMATION	11.07.2023	BB	PD
S2.P01	ISSUED FOR INFORMATION	29.06.2023	BB	PD
Rev.	Note	Date	Drawn	Check

DONNACHADH O'BRIEN & ASSOCIATES CONSULTING ENGINEERS

UNIT 5C
ELM HOUSE
MILLENSTOWN PARK
NAAS
CO. KILDARE

PHONE: +353 45 964 042
INFO@DOBRIENENGINEERS.IE
WWW.DOBRIENENGINEERS.IE

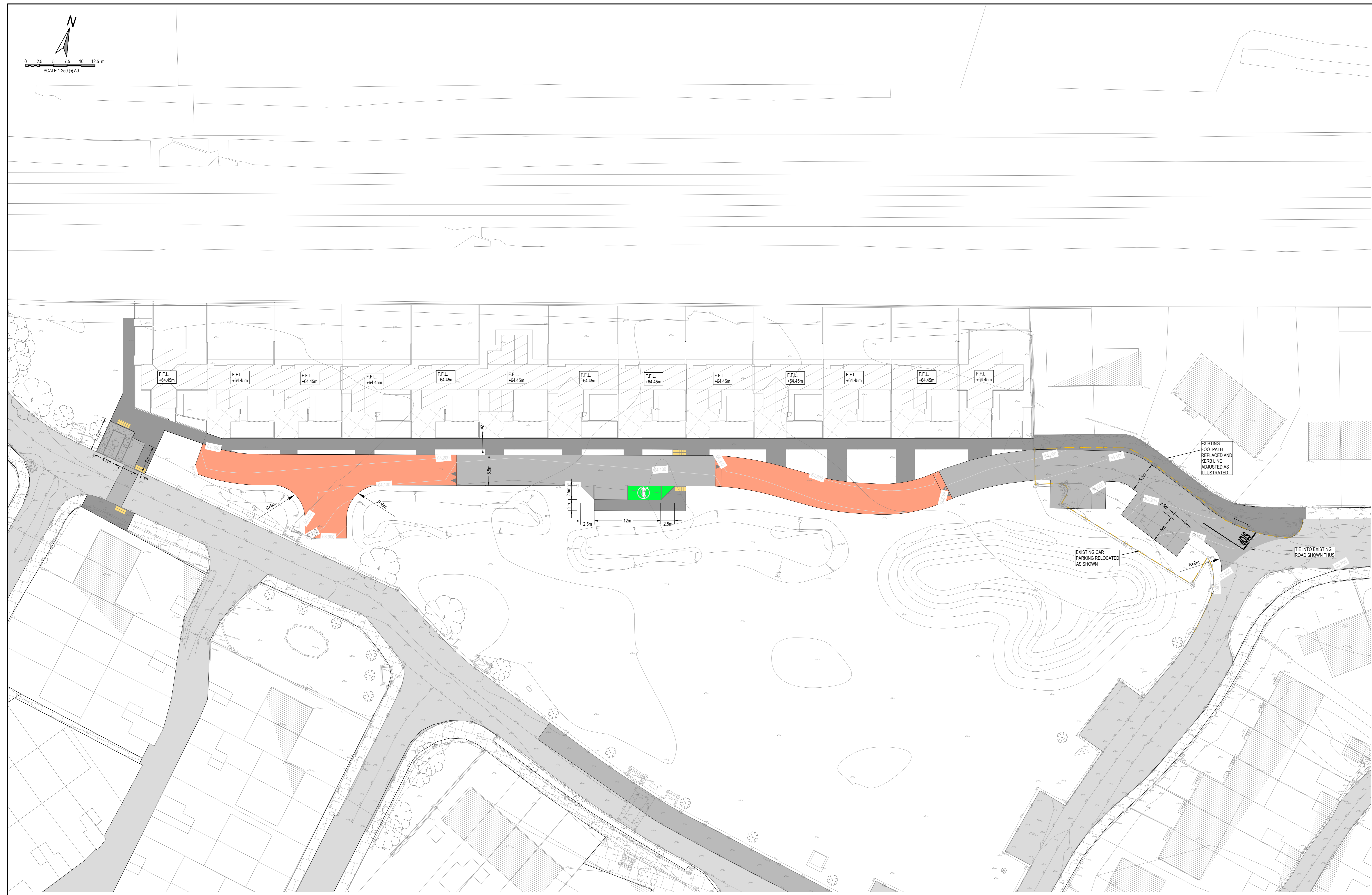
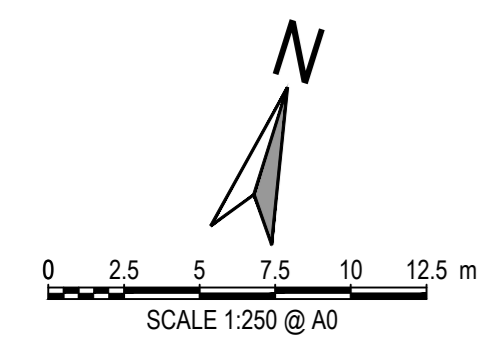
Client: KILDARE COUNTY COUNCIL ARCHITECTURAL SERVICES

Project: ST EVINS PARK, MONASTEREVIN, CO. KILDARE

Drawing Title: PROPOSED WATER SUPPLY LAYOUT

Drawn By: BB	Checked By: PD	Approved By: DOB	Date: JUNE 2023	Scale: 1:250	Sheet Size: A0
Project Number: DOBA2305	Drawing Number: 2305-DOB-XX-SI-DR-C-0040	Status Code: S2	Rev Number: P03		

- NOTES:**
- FOR STANDARD DOBA NOTES REFER TO DRAWING 2305-DOB-XX-SI-DR-S001 & S002
 - REFER TO ARCHITECT'S DRAWINGS FOR ALL SITE & APPLICATION BOUNDARIES
 - THIS DRAWING IS TO BE READ IN CONJUNCTION WITH ALL OTHER RELEVANT ARCHITECT'S & ENGINEER'S DRAWINGS AND SPECIFICATIONS
 - USE FIGURED DIMENSIONS ONLY. DO NOT SCALE
 - REFER TO SURVEY DRAWINGS FOR EXISTING SERVICES LAYOUTS AND MANHOLE INFORMATION
 - ALL EXISTING SURFACES TO BE RENOVATED FOLLOWING DIVERSION OF SERVICES/CONSTRUCTION OF NEW SERVICES
 - THE CONTRACTOR SHALL VERIFY ALL DIMENSIONS AND LEVELS WITH ARCHITECTURAL DRAWINGS PRIOR TO START OF CONSTRUCTION. ANY DISCREPANCIES TO BE NOTIFIED TO THE ENGINEER & ARCHITECT FOR RESOLUTION
 - CONTRACTOR TO ENSURE ALL WATER & WASTEWATER RELATED WORKS ARE IN ACCORDANCE WITH THE IRISH WATER WATER INFRASTRUCTURE & WASTEWATER INFRASTRUCTURE CODE OF PRACTICE & STANDARD DETAILS DOCUMENTS
 - TESTING OF ALL GRAVITY SEWERS AND MANHOLES TO BE IN ACCORDANCE WITH IRISH WATER CODE OF PRACTICE FOR WASTEWATER INFRASTRUCTURE SECTION 4.10 TESTING OF GRAVITY SEWERS & MANHOLES



GENERAL LEGEND:

- EXISTING ROADWAY
- PROPOSED INTERNAL ROADWAY AS PER TYP DETAILS
- PROPOSED SHARED SURFACE / TABLETOP PEDESTRIAN CROSSING
- PROPOSED NEW FOOTPATH (CONC)
- EXISTING FOOTPATH
- PROPOSED SPOT LEVELS
- PROPOSED ROAD FALLS
- PROPOSED ROAD CONTOURS
- PROPOSED PARKING BAYS (PERMEABLE SURFACING)
- PROPOSED EV CHARGING BAY
- PROPOSED DISABLED PARKING

FOR INFORMATION ONLY

S2.P03	ISSUE UPDATED TO LANDSCAPE PLAN	08.09.2023	BB	PD
S2.P02	ISSUED FOR INFORMATION	11.07.2023	BB	PD
S2.P01	ISSUED FOR INFORMATION	29.06.2023	BB	PD
Rev.	Note	Date	Drawn	Check

DONNACHADH O'BRIEN & ASSOCIATES CONSULTING ENGINEERS

UNIT 5C
ELM HOUSE
MILLENSTOWN PARK
NAAS
CO. KILDARE

PHONE: +353 45 964 042
INFO@DOBRIENENGINEERS.IE
WWW.DOBRIENENGINEERS.IE

Client: KILDARE COUNTY COUNCIL ARCHITECTURAL SERVICES

Project: ST EVINS PARK, MONASTEREVIN, CO. KILDARE

Drawing Title: PROPOSED SITE LAYOUT PLAN

Drawn By: BB	Checked By: PD	Approved By: DOJ	Date: JUNE 2023	Scale: 1:250	Sheet Size: A0
Project Number: DOBA2305	Drawing Number: 2305-DOB-XX-SI-DR-C-0050	Status Code: S2	Rev Number: P03		

- NOTES:**
- FOR STANDARD DOBA NOTES REFER TO DRAWING 2305-DOB-XX-SI-DR-S-0001 & S-0002
 - REFER TO ARCHITECTS DRAWINGS FOR ALL SITE & APPLICATION BOUNDARIES
 - THIS DRAWING IS TO BE READ IN CONJUNCTION WITH ALL OTHER RELEVANT ARCHITECTS & ENGINEERS DRAWINGS AND SPECIFICATIONS
 - USE FIGURED DIMENSIONS ONLY. DO NOT SCALE
 - REFER TO SURVEY DRAWINGS FOR EXISTING SERVICES LAYOUTS AND MANHOLE INFORMATION
 - ALL EXISTING SURFACES TO BE REINSTATED FOLLOWING DIVERSION OF SERVICES/CONSTRUCTION OF NEW SERVICES
 - THE CONTRACTOR SHALL VERIFY ALL DIMENSIONS AND LEVELS WITH ARCHITECTURAL DRAWINGS PRIOR TO START OF CONSTRUCTION. ANY DISCREPANCIES TO BE NOTIFIED TO THE ENGINEER & ARCHITECT FOR RESOLUTION
 - CONTRACTOR TO ENSURE ALL WATER & WASTEWATER RELATED WORKS ARE IN ACCORDANCE WITH THE IRISH WATER WATER INFRASTRUCTURE & WASTEWATER INFRASTRUCTURE CODE OF PRACTICE & STANDARD DETAILS DOCUMENTS
 - TESTING OF ALL GRAVITY SEWERS AND MANHOLES TO BE IN ACCORDANCE WITH IRISH WATER CODE OF PRACTICE FOR WASTEWATER INFRASTRUCTURE SECTION 4.10 TESTING OF GRAVITY SEWERS & MANHOLES

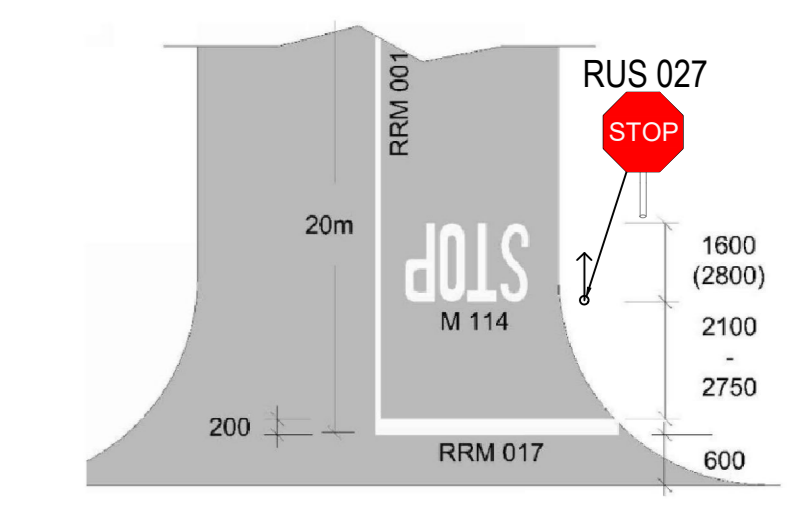
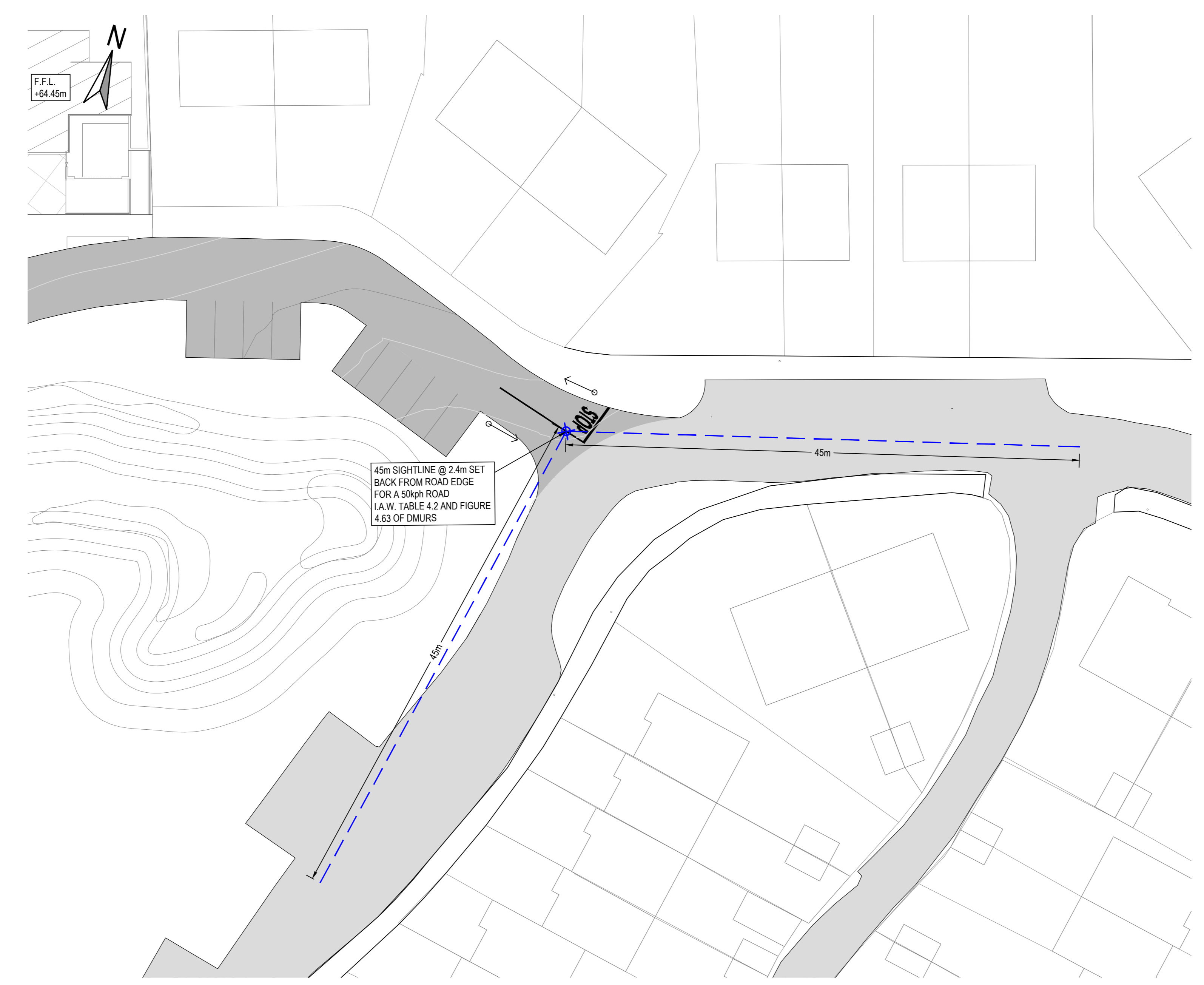


Figure 7.35: Example of Priority-Controlled Stop Junction
Note: See Paragraph 7.11.2

TYPICAL JUNCTION DETAILS
SCALE (NTS)



PROPOSED ROAD MARKINGS & SIGNAGE
SCALE 1:250



PROPOSED SIGHTLINES
SCALE 1:250

FOR INFORMATION ONLY

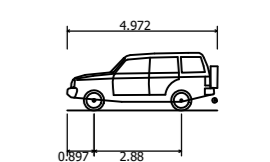
S2.P02	ISSUE UPDATED TO LANDSCAPE PLAN	08.09.2023	BB	PD							
S2.P01	ISSUED FOR INFORMATION	11.07.2023	BB	PD							
Rev.	Note	Date	Drawn	Check							
<p>DONNACHADH O'BRIEN & ASSOCIATES CONSULTING ENGINEERS</p> <p>UNIT 5C ELM HOUSE MILLENSTOWN PARK NAAS CO. KILDARE</p> <p>PHONE: +353 43 964 042 INFO@DOBRIENENGINEERS.IE WWW.DOBRIENENGINEERS.IE</p>											
Client:	KILDARE COUNTY COUNCIL ARCHITECTURAL SERVICES										
Project:	ST EVINS PARK, MONASTEREVIN, CO. KILDARE										
Drawing Title:	PROPOSED ROAD MARKINGS & SIGNAGE										
Drawn By:	BB	Checked By:	DOJ	Approved By:	AD	Date:	JUNE 2023	Scale:	1:250	Sheet Size:	A0
Project Number:	DOBA2305	Drawing Number:	2305-DOB-XX-SI-DR-C-0060	Status Code:	S2	Rev Number:	P02				

NOTES:

1. FOR STANDARD DOBA NOTES REFER TO DRAWING 2305-DOB-XX-SI-DR-S-001 & S-002
2. REFER TO ARCHITECTS DRAWINGS FOR ALL SITE & APPLICATION BOUNDARIES
3. THIS DRAWING IS TO BE READ IN CONJUNCTION WITH ALL OTHER RELEVANT ARCHITECTS & ENGINEER'S DRAWINGS AND SPECIFICATIONS
4. USE FIGURED DIMENSIONS ONLY. DO NOT SCALE
5. REFER TO SURVEY DRAWINGS FOR EXISTING SERVICES LAYOUTS AND MANHOLE INFORMATION
6. ALL EXISTING SURFACES TO BE RENOVATED FOLLOWING DIVERSION OF SERVICES/CONSTRUCTION OF NEW SERVICES
7. THE CONTRACTOR SHALL VERIFY ALL DIMENSIONS AND LEVELS WITH ARCHITECTURAL DRAWINGS PRIOR TO START OF CONSTRUCTION. ANY DISCREPANCIES TO BE NOTIFIED TO THE ENGINEER & ARCHITECT FOR RESOLUTION
8. CONTRACTOR TO ENSURE ALL WATER & WASTEWATER RELATED WORKS ARE IN ACCORDANCE WITH THE IRISH WATER WATER INFRASTRUCTURE & WASTEWATER INFRASTRUCTURE CODE OF PRACTICE & STANDARD DETAILS DOCUMENTS
9. TESTING OF ALL GRAVITY SEWERS AND MANHOLES TO BE IN ACCORDANCE WITH IRISH WATER CODE OF PRACTICE FOR WASTEWATER INFRASTRUCTURE SECTION 4.10 TESTING OF GRAVITY SEWERS & MANHOLES

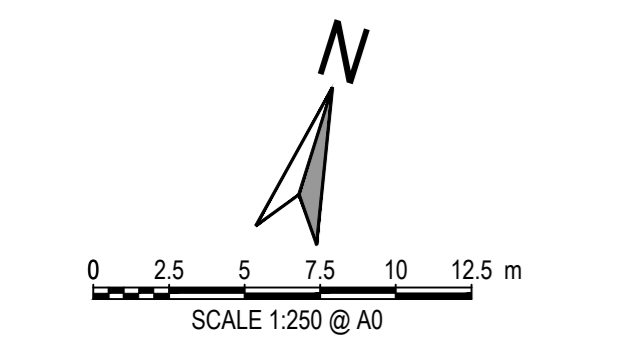
SWEPT PATH LEGEND

- OUTLINE OF TYRES
- OUTLINE OF CARRIAGE
- OUTLINE OF CARRIAGE (REVERSING)
- OUTLINE OF CARRIAGE (REVERSING)



Luxury 4x4 (2006)
 Overall Length: 4.972m
 Overall Width: 2.034m
 Overall Body Height: 1.905m
 Max Body Ground Clearance: 1.742m
 Max Wheel Width: 1.520m
 Lock-to-lock Time: 4.00s
 Curb-to-Curb Turning Radius: 5.800m

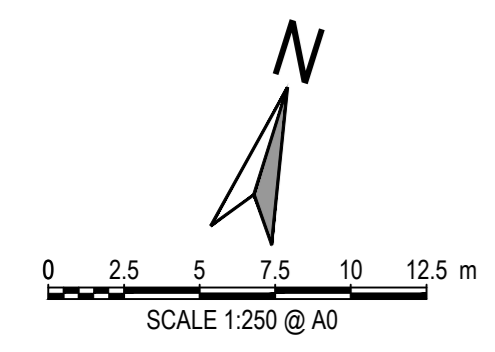
VEHICLE DETAILS



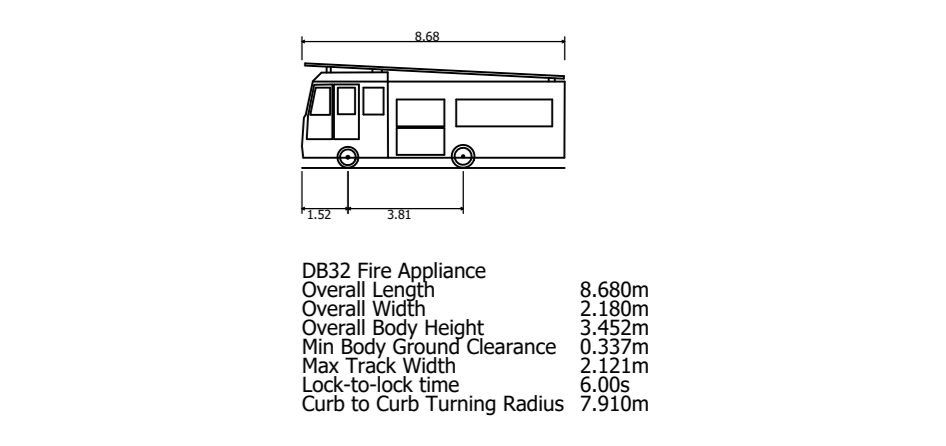
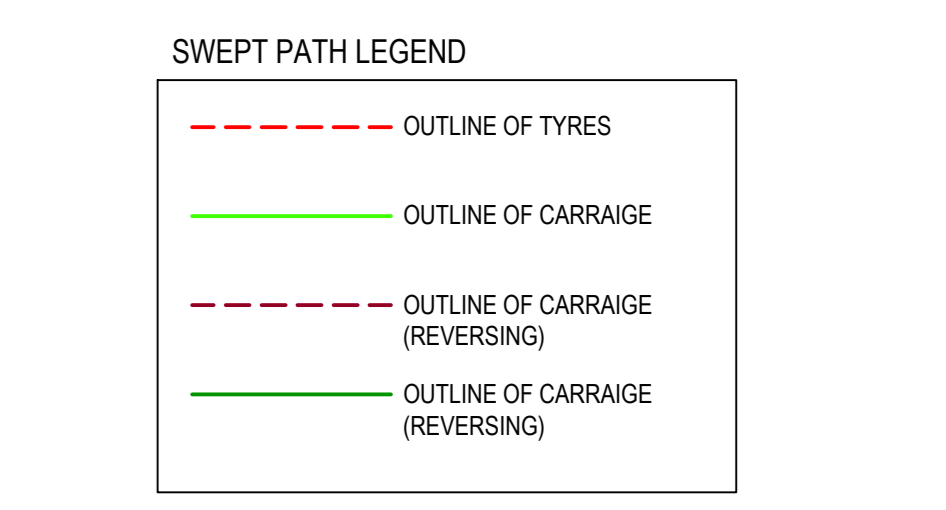
LUXURY 4X4 SWEPT PATH ANALYSIS
 SCALE 1:250

FOR INFORMATION ONLY

S2.P02	ISSUE UPDATED TO LANDSCAPE PLAN	08.09.2023	BB	PD
S2.P01	ISSUED FOR INFORMATION	11.07.2023	BB	PD
Rev.	Note	Date	Drawn	Check
<p>DONNACHADH O'BRIEN & ASSOCIATES CONSULTING ENGINEERS</p> <p>UNIT 5/C ELM HOUSE MILLENSTOWN PARK NAAS CO. KILDARE</p> <p>PHONE: +353 45 964 042 INFO@DOBRIENENGINEERS.IE WWW.DOBRIENENGINEERS.IE</p>				
Client: KILDARE COUNTY COUNCIL ARCHITECTURAL SERVICES				
Project: ST EVINS PARK, MONASTEREVIN, CO. KILDARE				
Drawing Title: PROPOSED VEHICLE AUTOTRACKS - 4X4 PASSENGER VEHICLE				
Drawn By:	Checked By:	Approved By:	Date:	Scale:
BB	PD	DOB	JUNE 2023	1:250
Project Number:	Drawing Number:	Status Code:	Rev Number:	
DOBA2305	2305-DOB-XX-SI-DR-C-0070	S2	P02	



- NOTES:**
- FOR STANDARD DOBA NOTES REFER TO DRAWING 2305-DOB-XX-SI-DR-S-0011 & S-0022
 - REFER TO ARCHITECTS DRAWINGS FOR ALL SITE & APPLICATION BOUNDARIES
 - THIS DRAWING IS TO BE READ IN CONJUNCTION WITH ALL OTHER RELEVANT ARCHITECTS & ENGINEER'S DRAWINGS AND SPECIFICATIONS
 - USE FIGURED DIMENSIONS ONLY. DO NOT SCALE
 - REFER TO SURVEY DRAWINGS FOR EXISTING SERVICES LAYOUTS AND MANHOLE INFORMATION
 - ALL EXISTING SURFACES TO BE RENOVATED FOLLOWING DIVERSION OF SERVICES/CONSTRUCTION OF NEW SERVICES
 - THE CONTRACTOR SHALL VERIFY ALL DIMENSIONS AND LEVELS WITH ARCHITECTURAL DRAWINGS PRIOR TO START OF CONSTRUCTION. ANY DISCREPANCIES TO BE NOTIFIED TO THE ENGINEER & ARCHITECT FOR RESOLUTION
 - CONTRACTOR TO ENSURE ALL WATER & WASTEWATER RELATED WORKS ARE IN ACCORDANCE WITH THE IRISH WATER WATER INFRASTRUCTURE & WASTEWATER INFRASTRUCTURE CODE OF PRACTICE & STANDARD DETAILS DOCUMENTS
 - TESTING OF ALL GRAVITY SEWERS AND MANHOLES TO BE IN ACCORDANCE WITH IRISH WATER CODE OF PRACTICE FOR WASTEWATER INFRASTRUCTURE SECTION 4.10 TESTING OF GRAVITY SEWERS & MANHOLES



FIRE TENDER SWEPT PATH ANALYSIS
SCALE 1:250

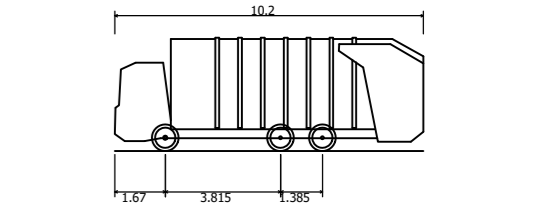
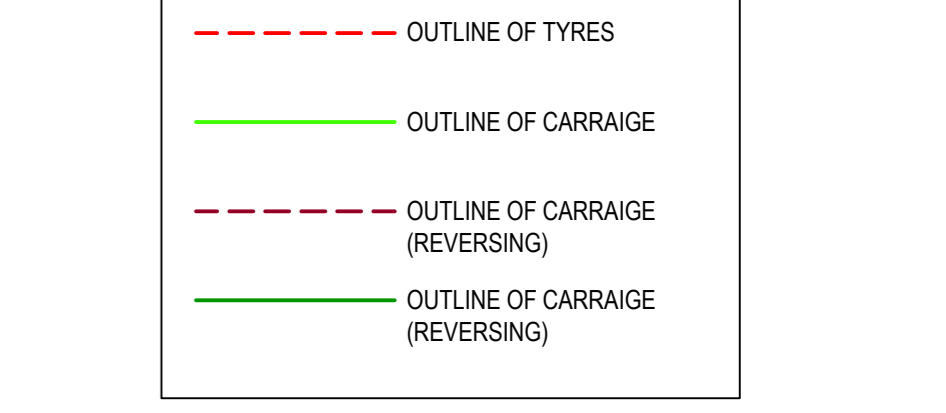
FOR INFORMATION ONLY

S2.P02	ISSUE UPDATED TO LANDSCAPE PLAN	08.09.2023	BB	PD
S2.P01	ISSUED FOR INFORMATION	11.07.2023	BB	PD
Rev.	Note	Date	Drawn	Check
<p>DONNACHADH O'BRIEN & ASSOCIATES CONSULTING ENGINEERS</p> <p>UNIT 5/C ELM HOUSE MILLENSTOWN PARK NAAS CO. KILDARE</p> <p>PHONE: +353 45 964 042 INFO@DOBRIENENGINEERS.IE WWW.DOBRIENENGINEERS.IE</p>				
Client: KILDARE COUNTY COUNCIL ARCHITECTURAL SERVICES				
Project: ST EVINS PARK, MONASTEREVIN, CO. KILDARE				
Drawing Title: PROPOSED VEHICLE AUTOTRACKS - FIRE TENDER				
Drawn By:	Checked By:	Approved By:	Date:	Scale:
BB	PD	DOB	JUNE 2023	1:250
Project Number:	Drawing Number:	Status Code:	Rev Number:	
DOBA2305	2305-DOB-XX-SI-DR-C-0071	S2	P02	

NOTES:

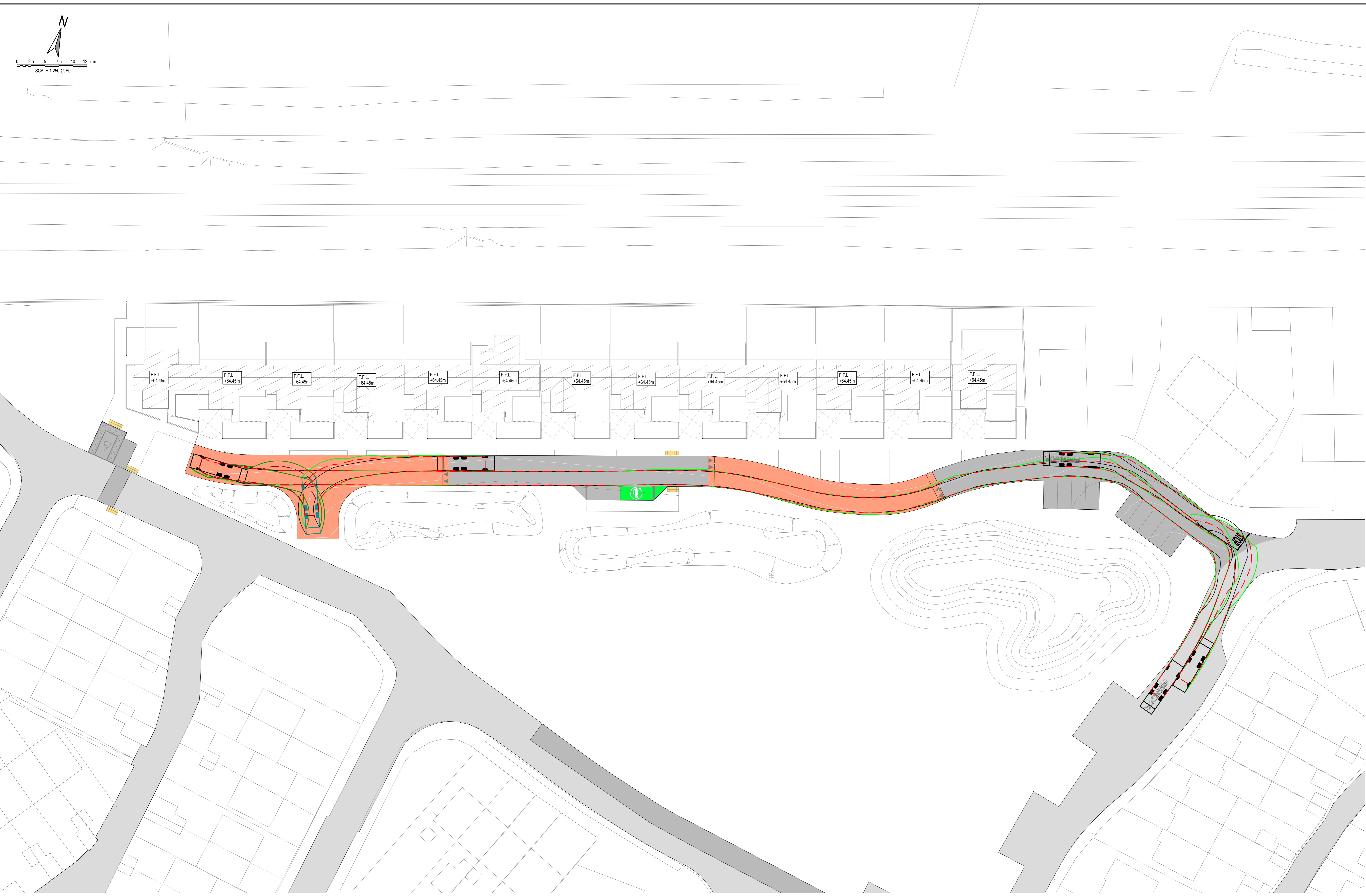
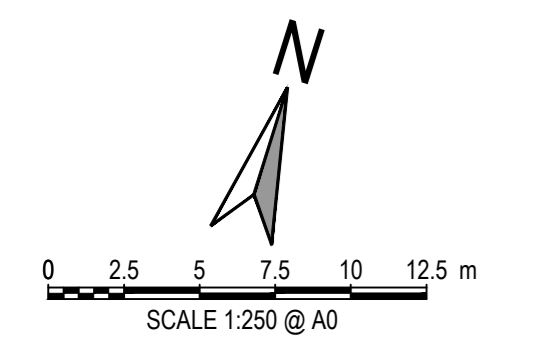
- FOR STANDARD DOBA NOTES REFER TO DRAWING 2305-DOB-XX-SI-DR-S-0011 & S-0022
- REFER TO ARCHITECT'S DRAWINGS FOR ALL SITE & APPLICATION BOUNDARIES
- THIS DRAWING IS TO BE READ IN CONJUNCTION WITH ALL OTHER RELEVANT ARCHITECT'S & ENGINEER'S DRAWINGS AND SPECIFICATIONS
- USE FIGURED DIMENSIONS ONLY. DO NOT SCALE
- REFER TO SURVEY DRAWINGS FOR EXISTING SERVICES LAYOUTS AND MANHOLE INFORMATION
- ALL EXISTING SURFACES TO BE RENOVATED FOLLOWING DIVERSION OF SERVICES/CONSTRUCTION OF NEW SERVICES
- THE CONTRACTOR SHALL VERIFY ALL DIMENSIONS AND LEVELS WITH ARCHITECTURAL DRAWINGS PRIOR TO START OF CONSTRUCTION. ANY DISCREPANCIES TO BE NOTIFIED TO THE ENGINEER & ARCHITECT FOR RESOLUTION
- CONTRACTOR TO ENSURE ALL WATER & WASTEWATER RELATED WORKS ARE IN ACCORDANCE WITH THE IRISH WATER WATER INFRASTRUCTURE & WASTEWATER INFRASTRUCTURE CODE OF PRACTICE & STANDARD DETAILS DOCUMENTS
- TESTING OF ALL GRAVITY SEWERS AND MANHOLES TO BE IN ACCORDANCE WITH IRISH WATER CODE OF PRACTICE FOR WASTEWATER INFRASTRUCTURE SECTION 4.10 TESTING OF GRAVITY SEWERS & MANHOLES

SWEPT PATH LEGEND



Phoenix 2 Dup (P2-12W with 6tyr 6x4 chassis)
 Overall Length 12.00m
 Overall Width 3.30m
 Overall Body Height 3.30m
 Body Clearance 0.30m
 Track Width 2.20m
 Load Capacity 2.00t
 Curb to Curb Turning Radius 7.30m

VEHICLE DETAILS



REFUSE TRUCK SWEPT PATH ANALYSIS
 SCALE 1:250

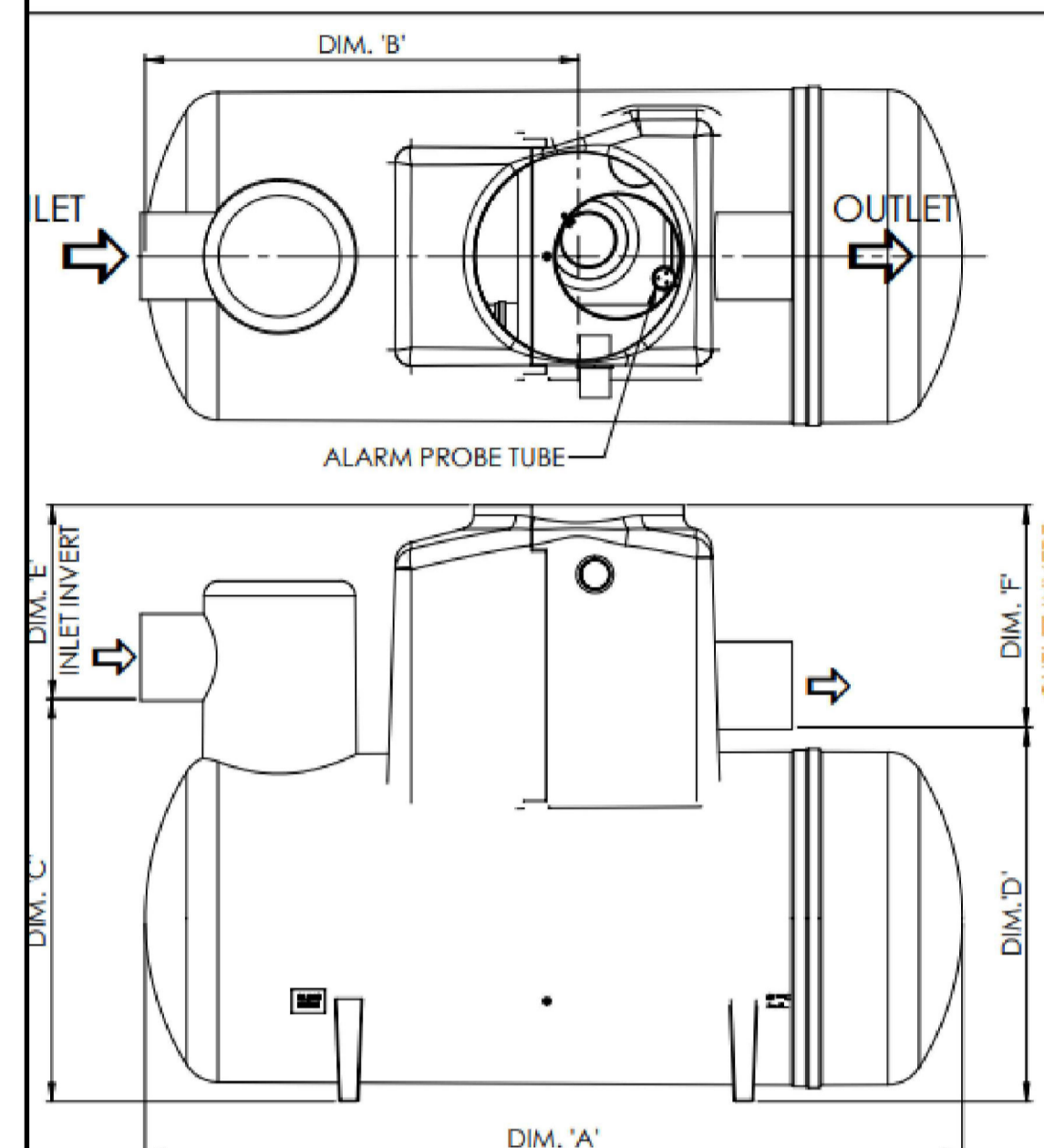
FOR INFORMATION ONLY

S2.P02	ISSUE UPDATED TO LANDSCAPE PLAN	08.09.2023	BB	PD
S2.P01	ISSUED FOR INFORMATION	11.07.2023	BB	PD
Rev.	Note	Date	Drawn	Check

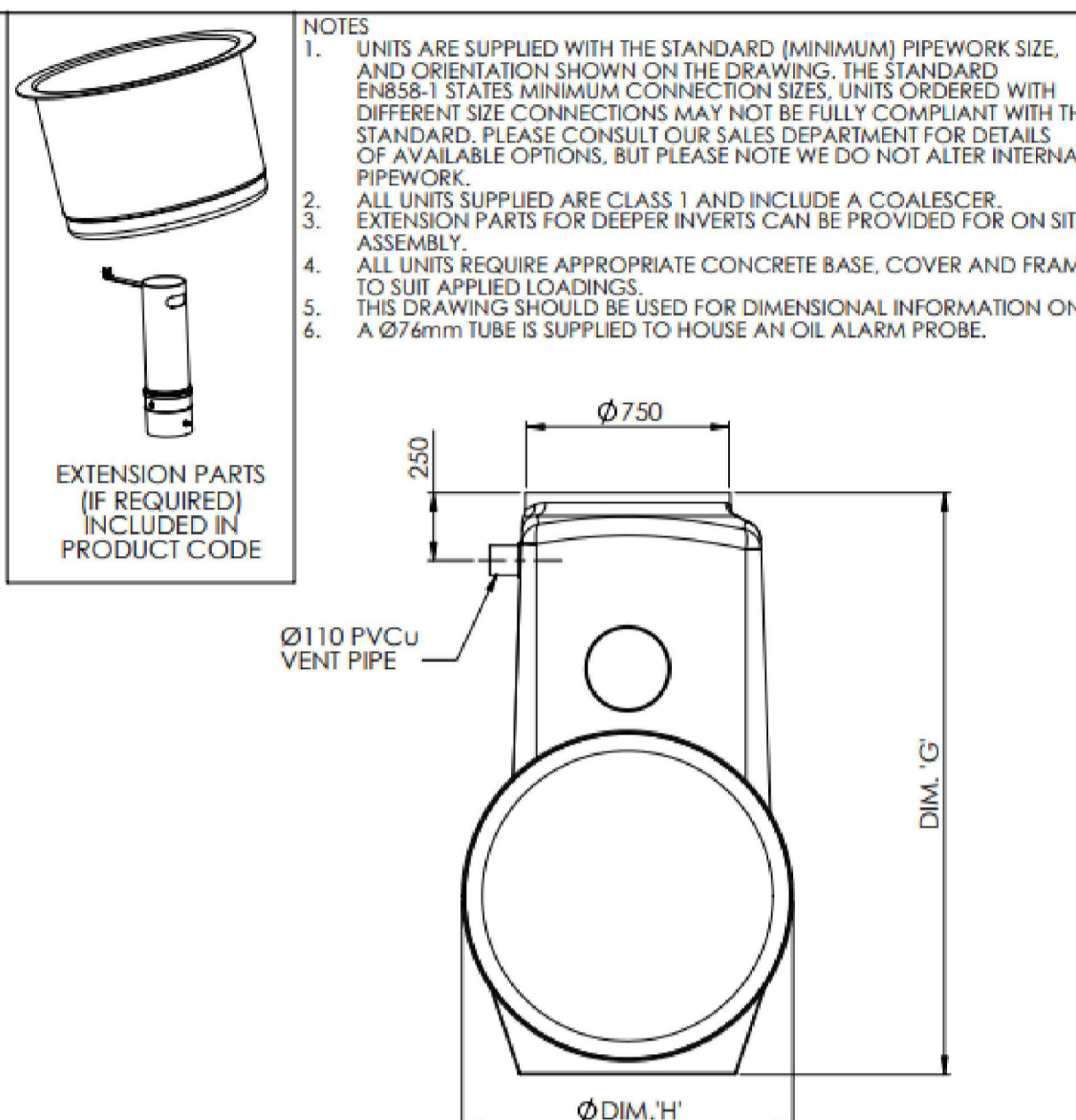
DONNACHADH O'BRIEN & ASSOCIATES CONSULTING ENGINEERS	UNIT 5C ELM HOUSE MILLENSTOWN PARK NAAS CO. KILDARE	PHONE: +353 45 964 042 INFO@DOBRIENENGINEERS.IE WWW.DOBRIENENGINEERS.IE
--	---	--

Client: KILDARE COUNTY COUNCIL ARCHITECTURAL SERVICES
 Project: ST EVINS PARK, MONASTEREVIN, CO. KILDARE
 Drawing Title: PROPOSED VEHICLE AUTOTRACKS - REFUSE VEHICLE

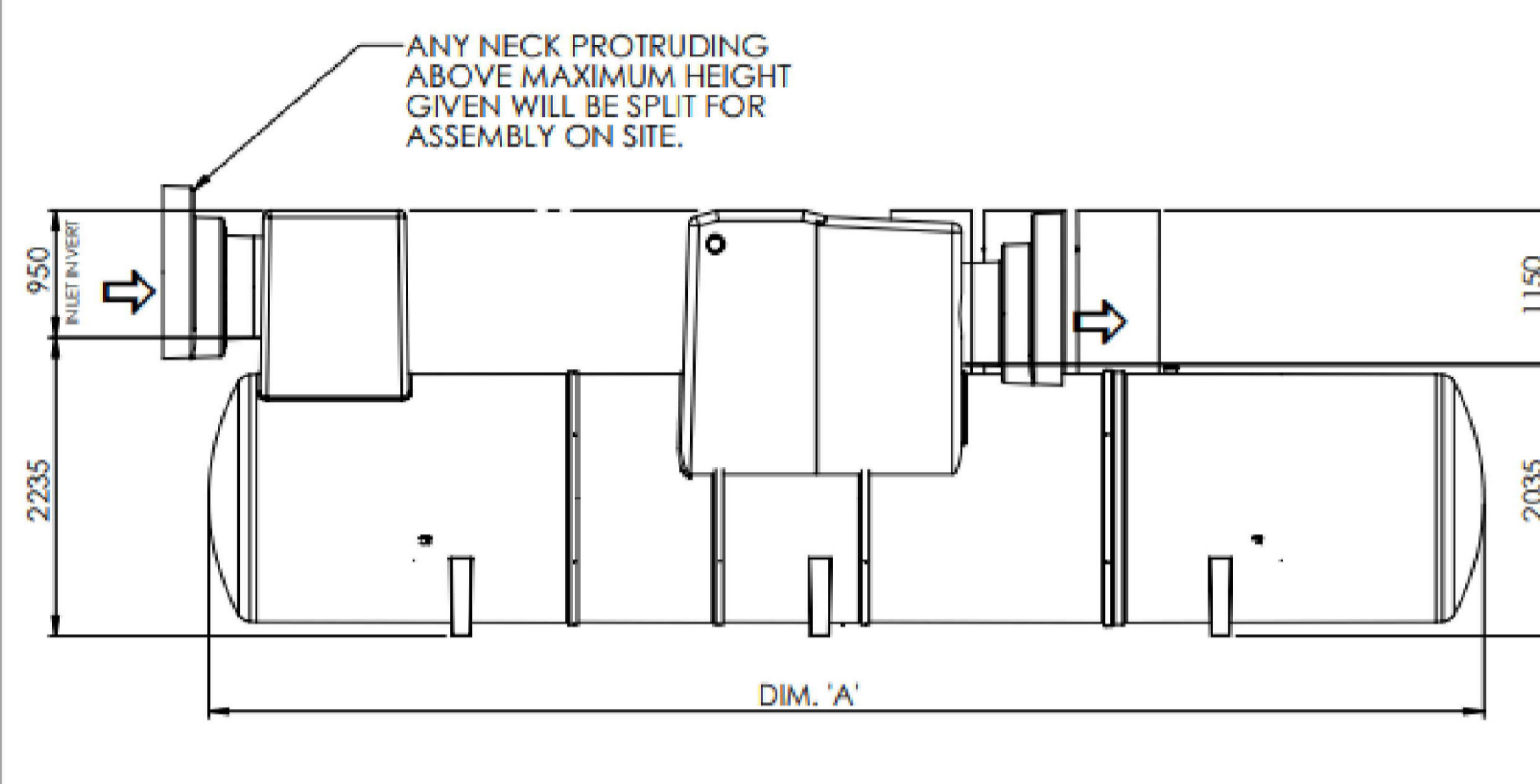
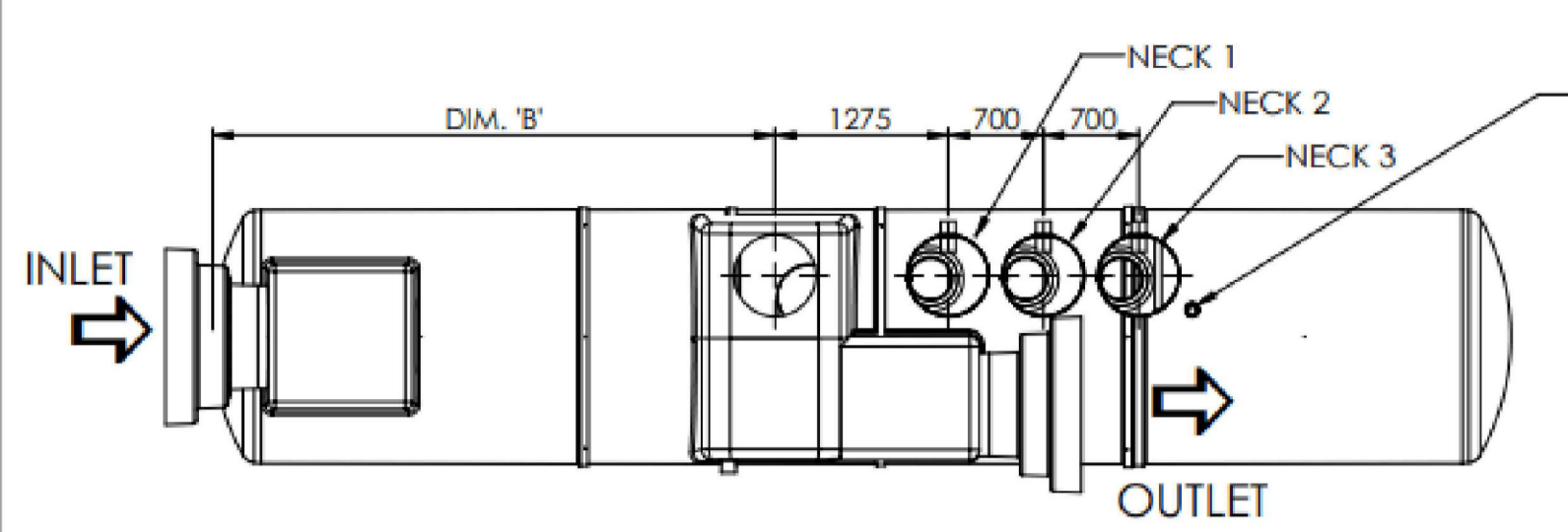
Drawn By: BB	Checked By: PD	Approved By: DOB	Date: JUNE 2023	Scale: 1:250	Sheet Size: A0
Project Number: DOBA2305	Drawing Number: 2305-DOB-XX-SI-DR-C-0072	Status Code: S2	Rev Number: P02		



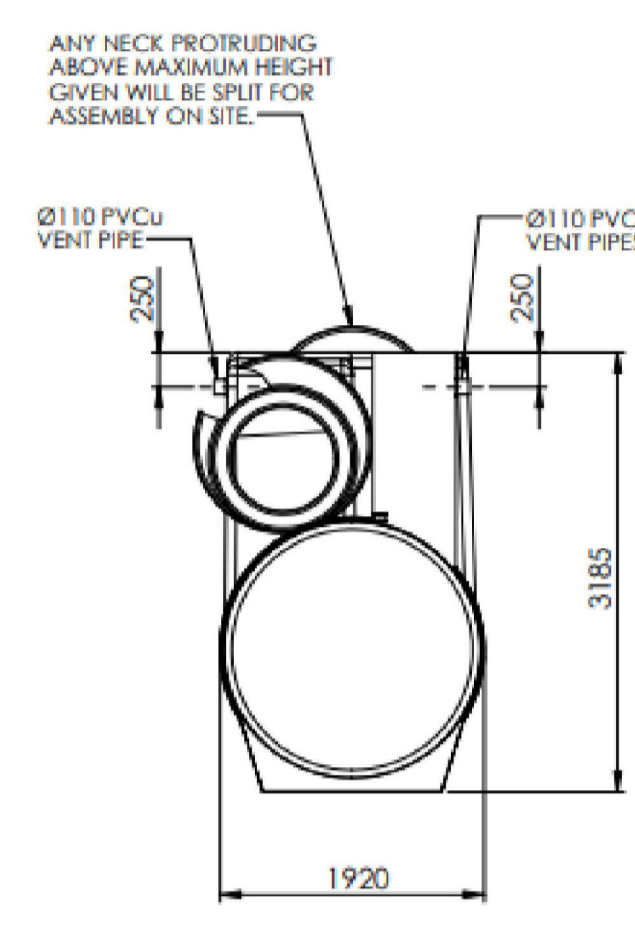
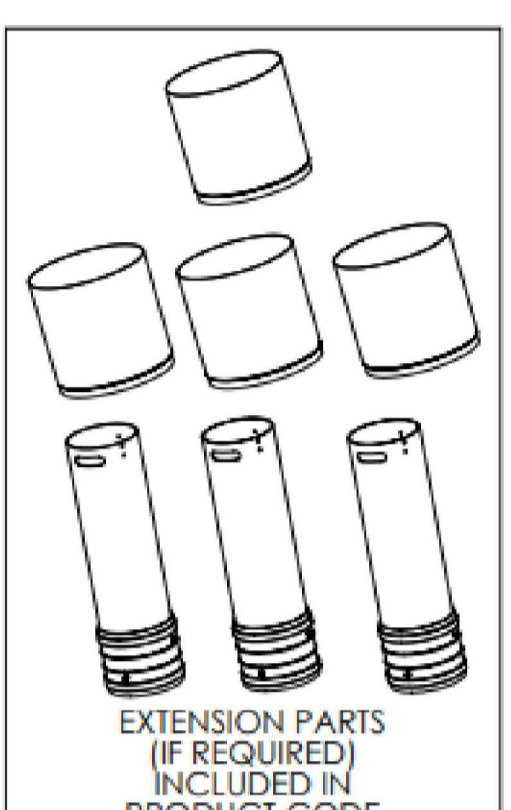
UNIT	NOMINAL FLOW (l/sec.)	DIM. 'A'	DIM. 'B'	DIM. 'C'	DIM. 'D'	DIM. 'E'	DIM. 'F'	DIM. 'G'	DIM. 'H'	STD. PIPE Ø	APPROX. EMPTY WEIGHT (kg)	FALL ACROSS UNIT
NSBE010	10.0	2070	1095	1450	1350	700	800	2150	1220	315	160	100
NSBE015	15.0	2950	1560	1450	1350	700	800	2150	1220	315	200	100
NSBE020	20.0	3893	2016	1450	1350	700	800	2150	1220	375	220	100
NSBE025	25.0	3575	1900	1680	1580	700	800	2380	1420	375	300	100
NSBE030	30.0	4265	2263	1680	1580	700	800	2380	1420	450	325	100



NOTES
1. UNITS ARE SUPPLIED WITH THE STANDARD (MINIMUM) PIPEWORK SIZE, AND ORIENTATION SHOWN ON THE DRAWING. THE STANDARD EN858-1 STATES MINIMUM CONNECTION SIZES. UNITS ORDERED WITH DIFFERENT SIZE CONNECTIONS MAY NOT BE FULLY COMPLIANT WITH THE STANDARD. PLEASE CONSULT OUR SALES DEPARTMENT FOR DETAILS OF AVAILABLE OPTIONS, BUT PLEASE NOTE WE DO NOT ALTER INTERNAL PIPEWORK.
2. ALL UNITS SUPPLIED ARE CLASS 1 AND INCLUDE A COALESCER. EXTENSION PARTS FOR DEEPER INVERTS CAN BE PROVIDED FOR ON SITE ASSEMBLY.
3. ALL UNITS REQUIRE APPROPRIATE CONCRETE BASE, COVER AND FRAME TO SUIT APPLIED LOADINGS.
4. THIS DRAWING SHOULD BE USED FOR DIMENSIONAL INFORMATION ONLY. A Ø76mm TUBE IS SUPPLIED TO HOUSE AN OIL ALARM PROBE.



UNIT	NOMINAL FLOW (l/sec.)	DIM. 'A'	DIM. 'B'	STD. PIPE Ø	NECK 1 FITTED	NECK 2 FITTED	NECK 3 FITTED	APPROX. EMPTY WEIGHT (kg)	FALL ACROSS UNIT
NSBE075	75.0	5841	2333	675	✓	✓		1122	200
NSBE100	100.0	7661	3122	750	✓	✓		1300	200
NSBE125	125.0	9548	4136	750	✓	✓	✓	1560	200



NOTES
1. UNITS ARE SUPPLIED WITH THE STANDARD (MINIMUM) PIPEWORK SIZE, AND ORIENTATION SHOWN ON THE DRAWING. THE STANDARD EN858-1 STATES MINIMUM CONNECTION SIZES. UNITS ORDERED WITH DIFFERENT SIZE CONNECTIONS MAY NOT BE FULLY COMPLIANT WITH THE STANDARD. PLEASE CONSULT OUR SALES DEPARTMENT FOR DETAILS OF AVAILABLE OPTIONS, BUT PLEASE NOTE WE DO NOT ALTER INTERNAL PIPEWORK.
2. ALL UNITS SUPPLIED ARE CLASS 1 AND INCLUDE A COALESCER. EXTENSION PARTS FOR DEEPER INVERTS CAN BE PROVIDED FOR ON SITE ASSEMBLY.
3. ALL UNITS REQUIRE APPROPRIATE CONCRETE BASE, COVER AND FRAME TO SUIT APPLIED LOADINGS.
4. THIS DRAWING SHOULD BE USED FOR DIMENSIONAL INFORMATION ONLY. A Ø76mm TUBE IS SUPPLIED TO HOUSE AN OIL ALARM PROBE.

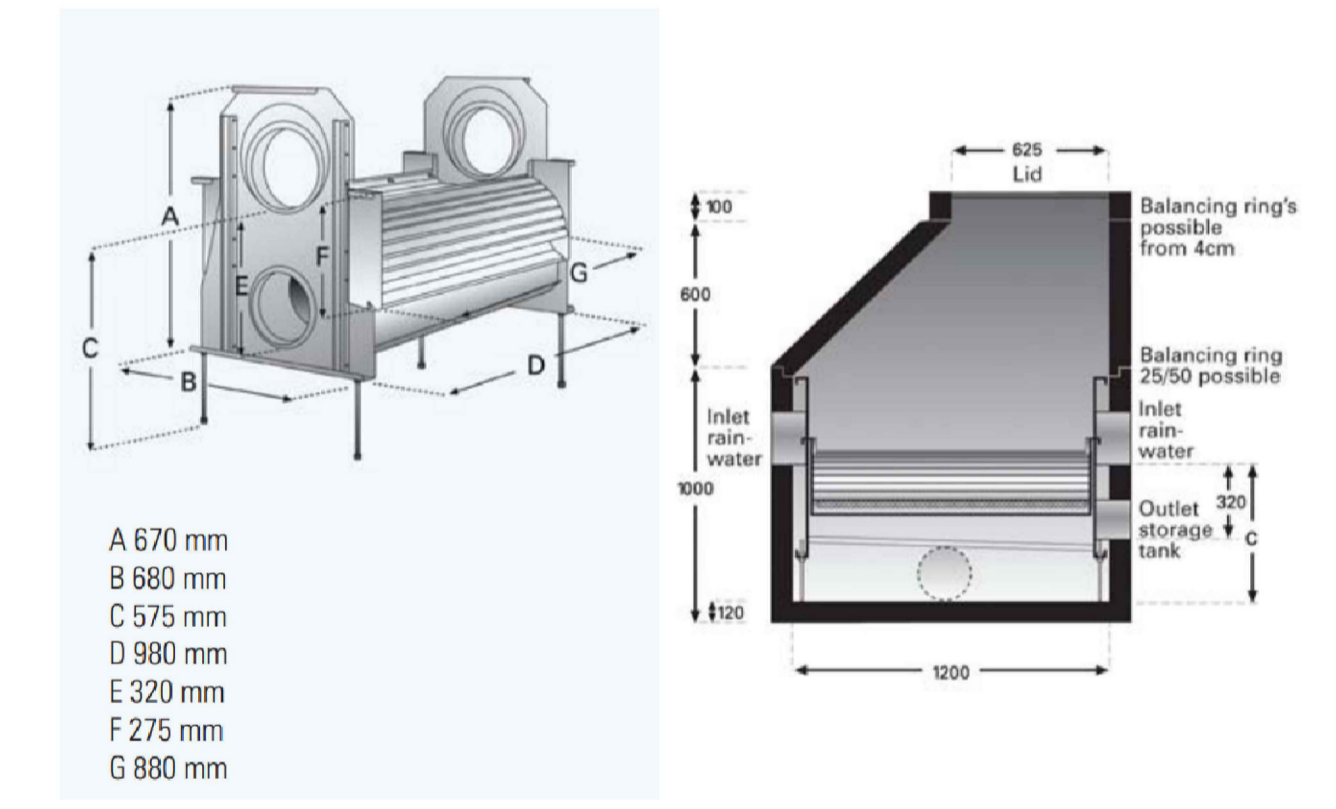
NOTES:
1. FOR STANDARD DOBA NOTES REFER TO DRAWING 2305-DOB-XX-SI-DR-S-0001 & S-0002
2. APPLICATION TO ARCHITECTS DRAWINGS FOR ALL SITE & REFLECTOR BOUNDARIES
3. THIS DRAWING IS TO BE READ IN CONJUNCTION WITH ALL OTHER RELEVANT ARCHITECTS & ENGINEER'S DRAWINGS AND SPECIFICATIONS.
4. USE FIGURED DIMENSIONS ONLY. DO NOT SCALE
5. REFER TO SURVEY DRAWINGS FOR EXISTING SERVICES LAYOUTS AND MANHOLE INFORMATION
6. ALL EXISTING SURFACES TO BE REINSTATED FOLLOWING DIVERSION OF SERVICES/CONSTRUCTION OF NEW SERVICES
7. THE CONTRACTOR SHALL VERIFY ALL DIMENSIONS AND LEVELS WITH ARCHITECTURAL DRAWINGS PRIOR TO START OF CONSTRUCTION. ANY DISCREPANCIES TO BE NOTIFIED TO THE ENGINEER & ARCHITECT FOR RESOLUTION
8. CONTRACTOR TO ENSURE ALL WATER & WASTEWATER RELATED WORKS ARE IN ACCORDANCE WITH THE IRISH WATER INFRASTRUCTURE & WASTEWATER INFRASTRUCTURE CODE OF PRACTICE & STANDARD DETAILS DOCUMENTS
9. TESTING OF ALL GRAVITY SEWERS AND MANHOLES TO BE IN ACCORDANCE WITH IRISH WATER CODE OF PRACTICE FOR WASTEWATER INFRASTRUCTURE SECTION 4.10 TESTING OF GRAVITY SEWERS & MANHOLES

Unit Ref No	Nominal Flow	Dim L (mm)	Approx Empty Weight (kgs)	Fall across unit	Inlet Size 'A'	Outlet Size 'B'
NSBE015	15 L/s	2950	200	100	Ø315 mm	Ø315 mm

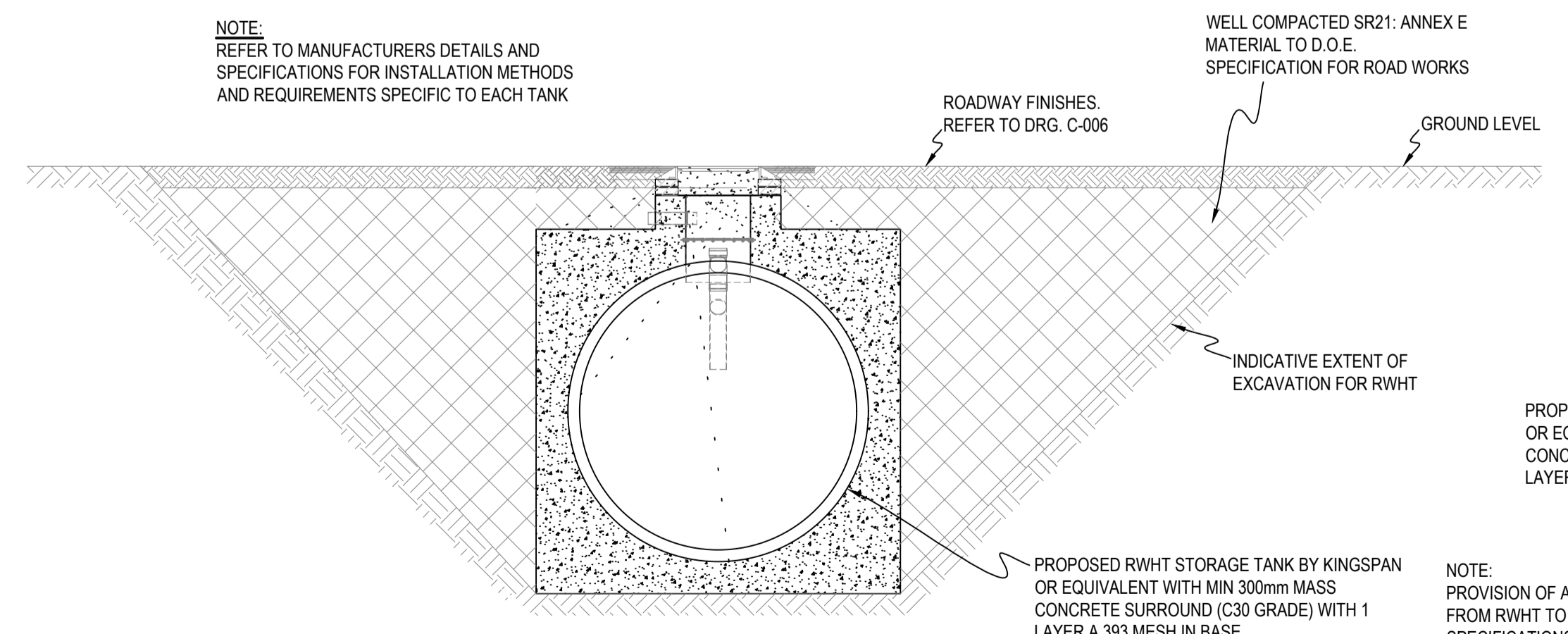
TYPICAL SIZE OF KLARGESTER CLASS 1 INTERCEPTOR - NSBE015
(Subject to planning, unit dimensions & surround provided at detailed design stage.)

REF. NO.	FLOW (l/s)	DRAINAGE AREA	SILT STORAGE CAPACITY (LITRES)	OIL STORAGE CAPACITY (LITRES)	LENGTH (L) (mm)	UNIT DIA. (Ø) (mm)	MANHOLE COVER (Ø) (mm)	BASE TO INVERT (A) (mm)	BASE TO OUTLET (Ø) (mm)	MIN. INLET INVERT. (Ø) (mm)	STANDARD PIPEWORK DIA. (G) (mm)	STANDARD FALL ACROSS (mm)
NSBE125	125	69444	12600	1875	9548	1920	750	2235	2035	950	750	200

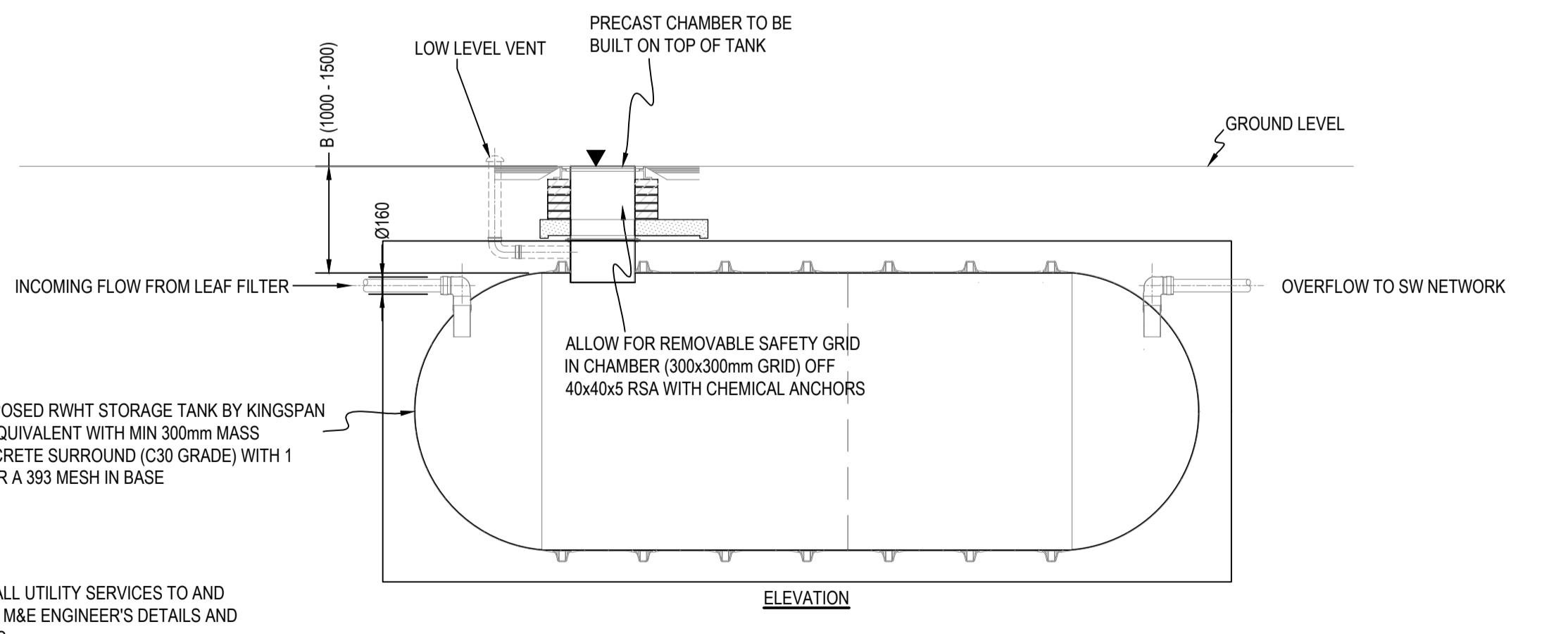
TYPICAL SIZE OF KLARGESTER CLASS 1 INTERCEPTOR NSBE125
(Subject to planning, unit dimensions & surround provided at detailed design stage.)



TYPICAL LEAF FILTER
SCALE: NTS



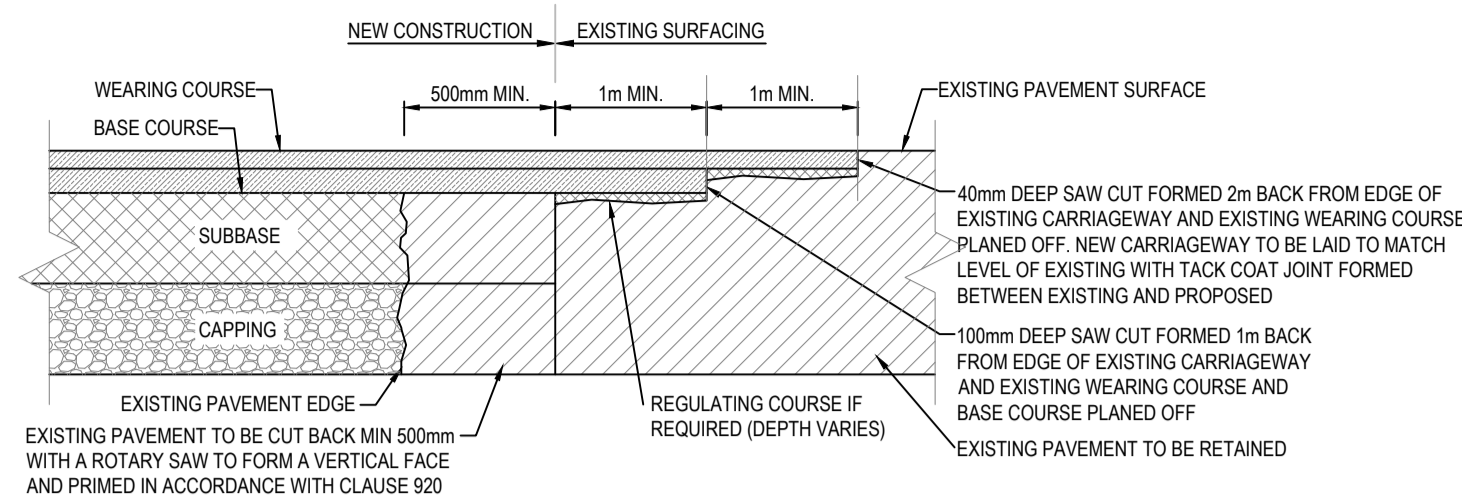
SECTION THROUGH TYPICAL RAINWATER HARVESTING TANK
SCALE: 1:50



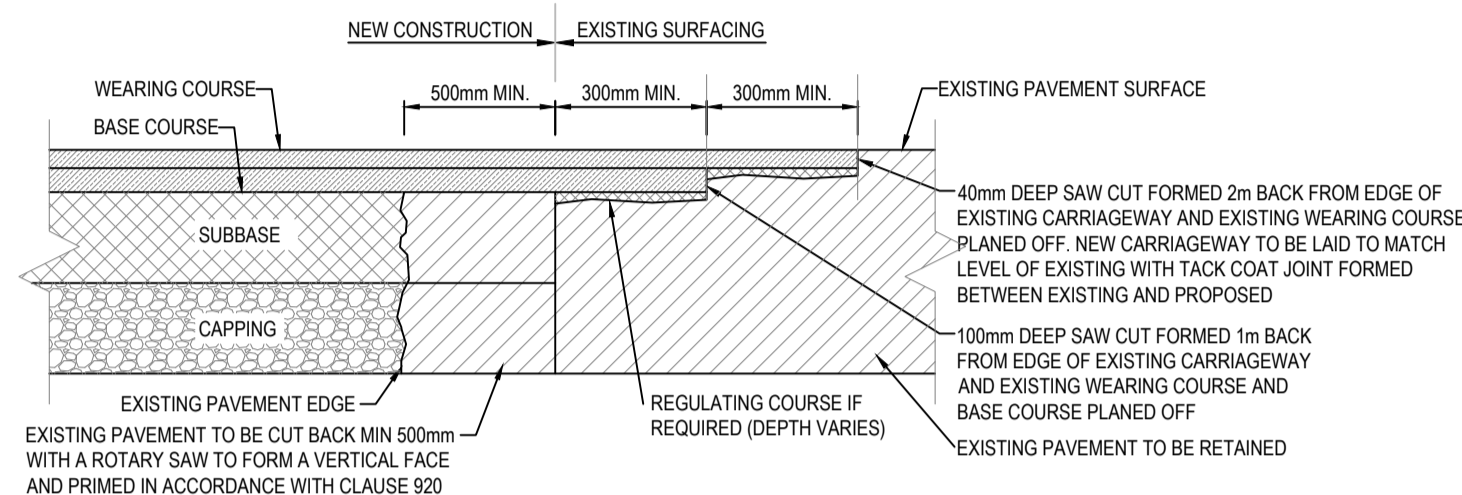
DETAILS OF TYPICAL RWHT BY KINGSPAN OR EQUIVALENT
SCALE: 1:50

FOR INFORMATION ONLY

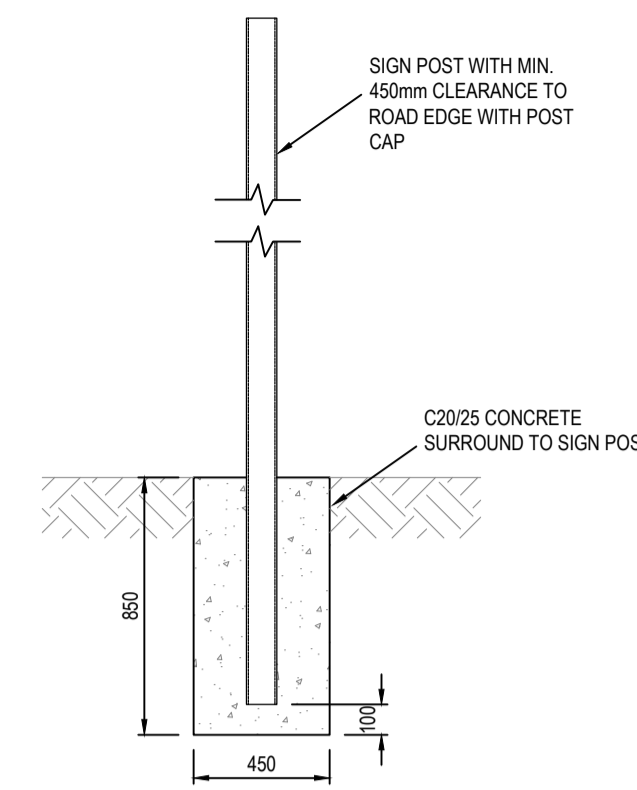
S2.P01	ISSUED FOR INFORMATION	11.07.2023	BB	PD
Rev.	Note	Date	Drawn	Check
DONNACHADH O'BRIEN & ASSOCIATES CONSULTING ENGINEERS		UNIT 5C ELM HOUSE MILLENNIUM PARK NAAS CO. KILDARE		PHONE +353 45 984 042 INFO@DOBRIEN-ENGINEERS.IE WWW.DOBRIEN-ENGINEERS.IE
Client: KILDARE COUNTY COUNCIL ARCHITECTURAL SERVICES				
Project: LANDS AT HAGGARDSTOWN, BLACKROCK, DUNDALK, Co. LOUTH				
Drawing Title: ST EVINS PARK, MONASTEREVIN, CO. KILDARE				
Drawn By: BB	Checked By: PD	Approved By: DOB	Date: JULY 2023	Scale: 1:50
Project Number: DOBA2305	Drawing Number: 2305-DOB-XX-SI-DR-C-0100	Status Code: S2	Rev Number: P01	



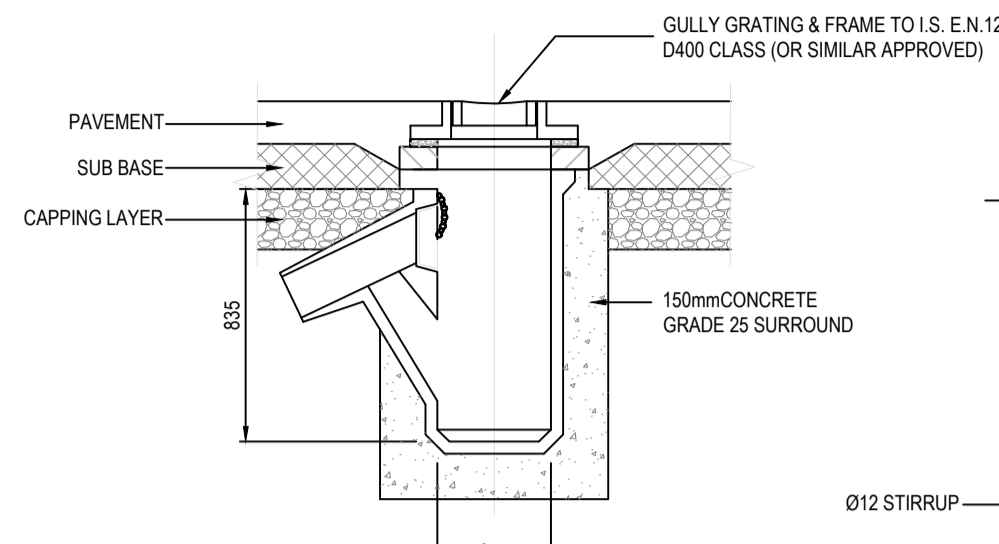
TYPICAL DETAIL OF TRAVERSE JOINT BETWEEN NEW AND EXISTING ROAD CONSTRUCTION
SCALE: 1:25



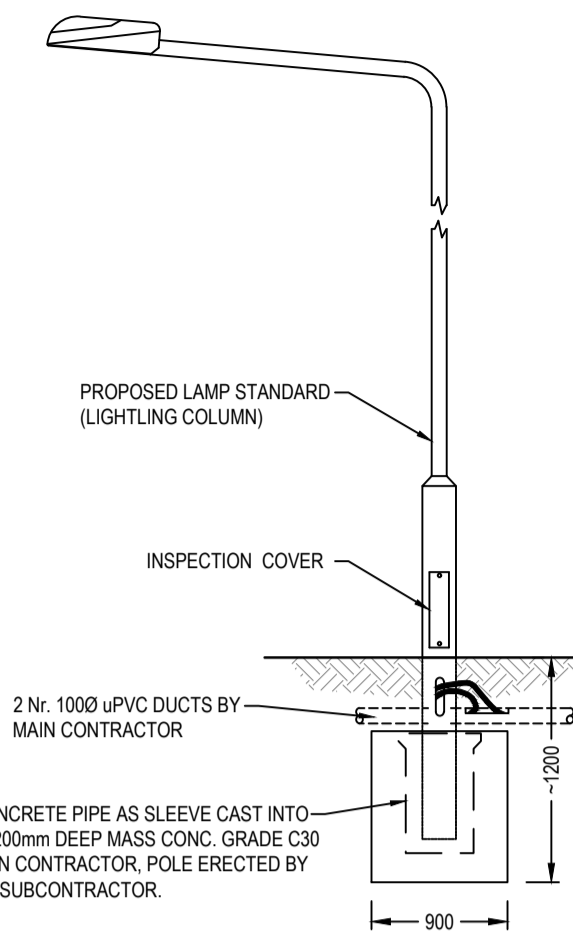
TYPICAL DETAIL OF LONGITUDINAL JOINT BETWEEN NEW AND EXISTING ROAD CONSTRUCTION
SCALE: 1:25



TYPICAL SIGNPOST FOUNDATION DETAIL
SCALE: 1:25

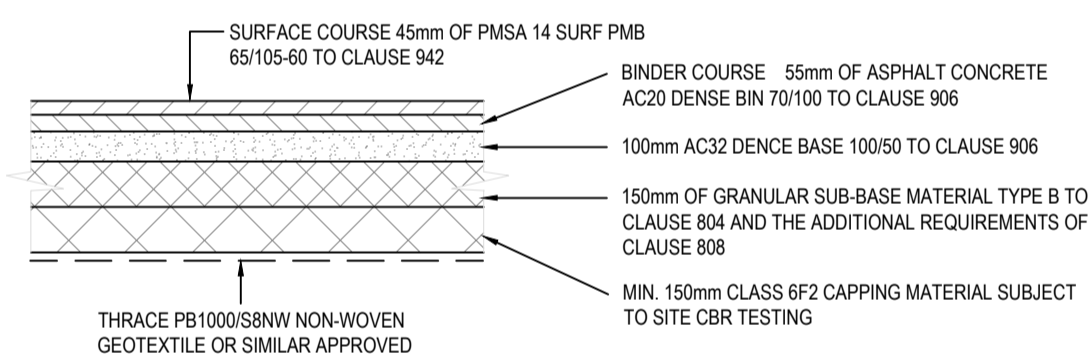


SECTION
PRECAST CONCRETE ROAD GULLY
SCALE: 1:25

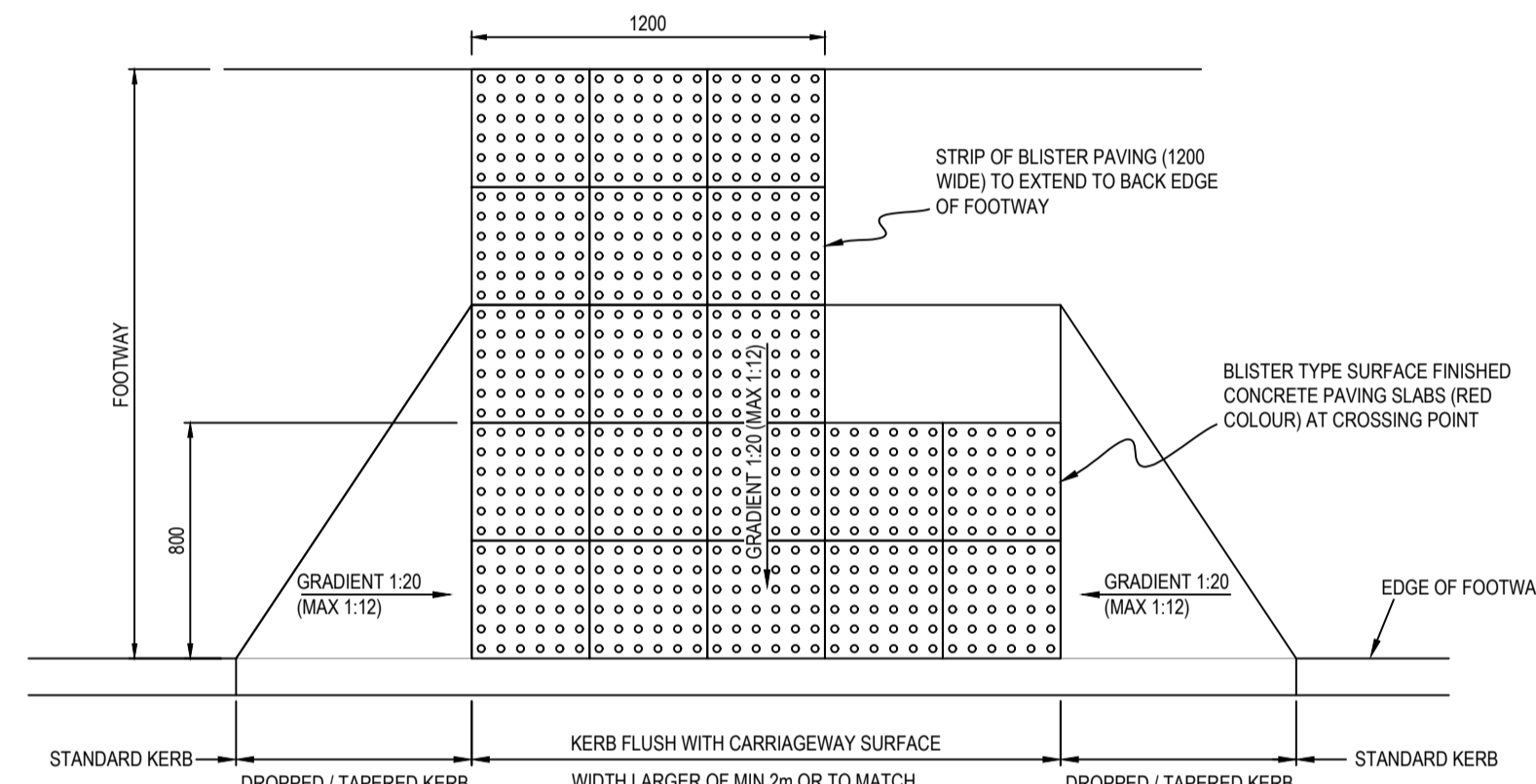


SECTION THROUGH TYPICAL LAMP STANDARD
SCALE: 1:25

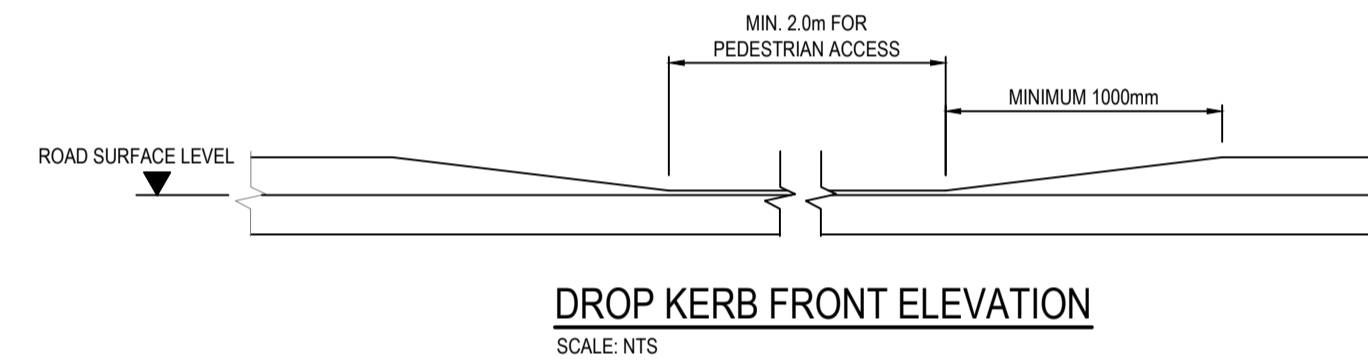
!NOTE
ALL CONSTRUCTION DETAILS ARE SUBJECT TO AGREEMENT WITH KILDARE CO. CO.



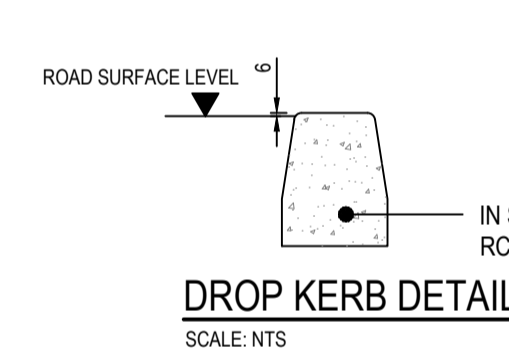
1 TYPICAL NEW ROAD DETAIL (TYPE 1.5.5m)
SCALE: 1:25



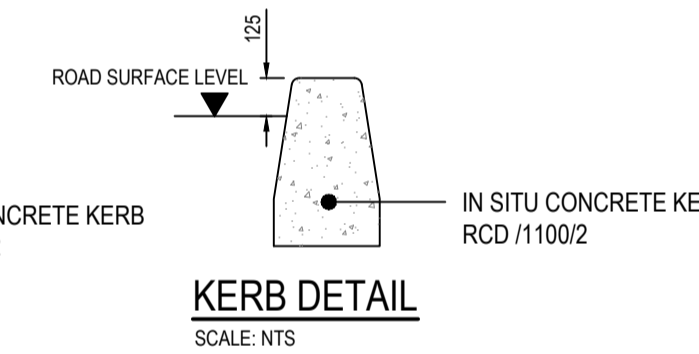
TYPICAL TACTILE PAVING DETAIL (INSET CONTROLLED CROSSING)
SCALE: 1:25



DROP KERB FRONT ELEVATION
SCALE: NTS

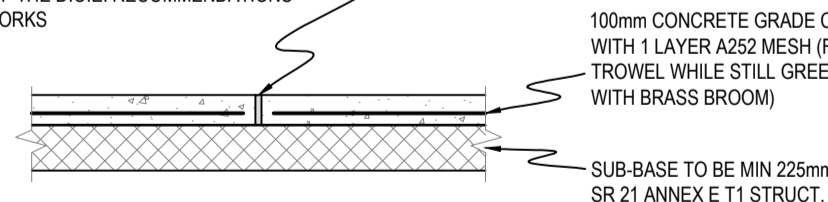


DROP KERB DETAIL
SCALE: NTS

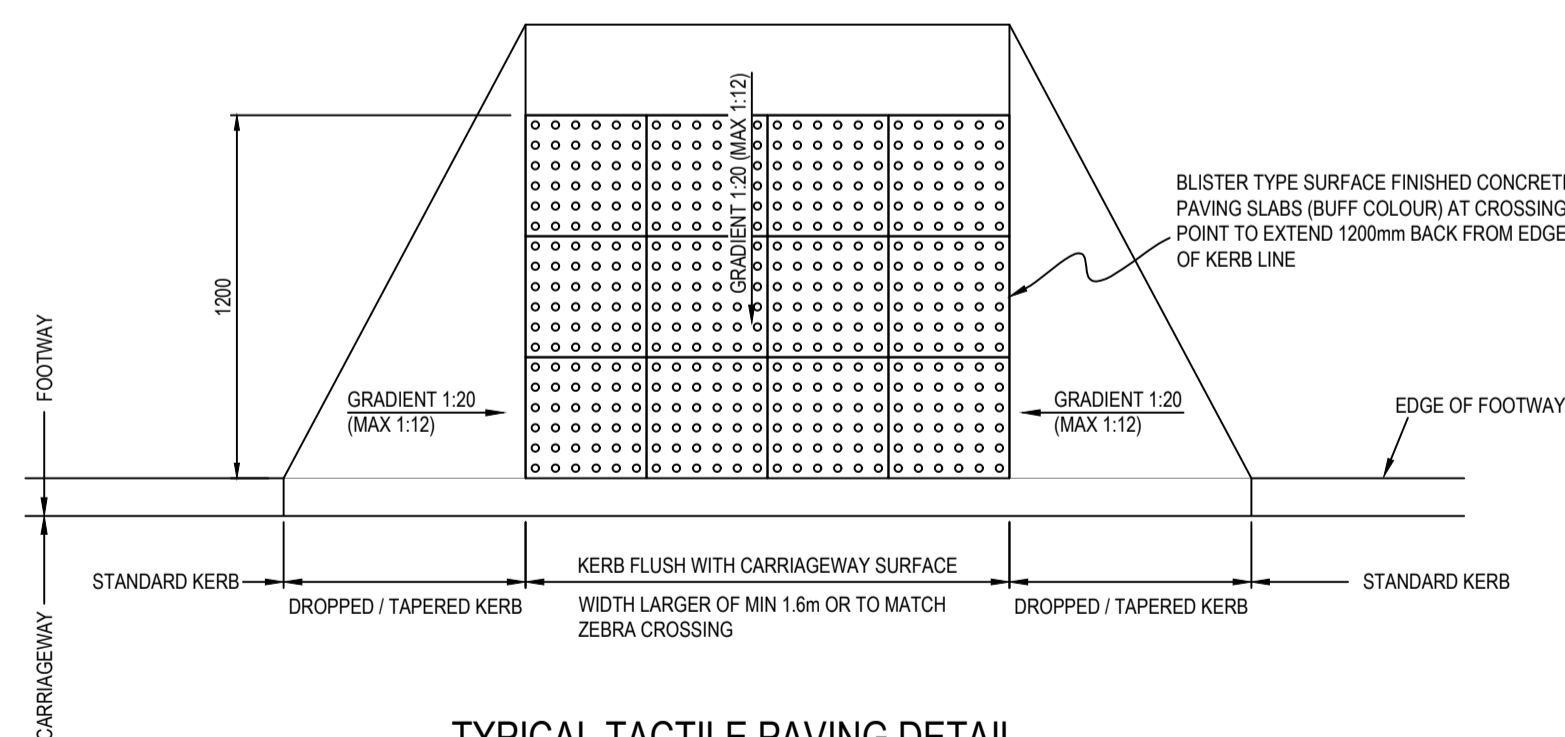


KERB DETAIL
SCALE: NTS

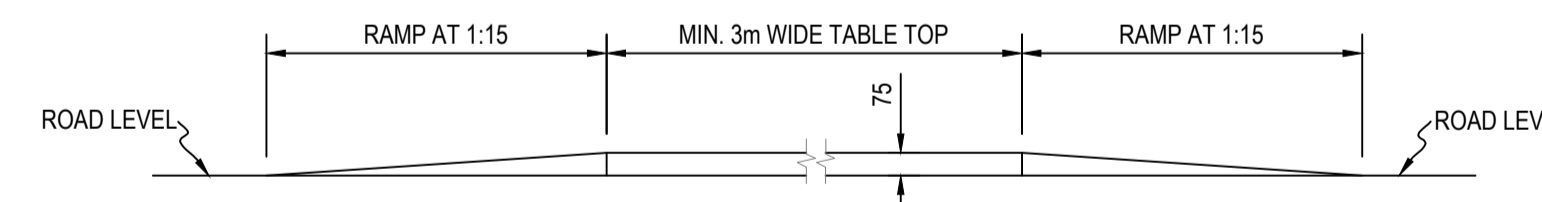
- NOTES:**
- JOINTS TO BE FORMED IN A STRAIGHT LINE, AT RIGHT ANGLES TO THE FOOTWAY, AT A MAXIMUM SPACING OF 3m FORMED WITH 2 LAYERS OF BITUMINOUS FELT.
 - FOOTWAY TO HAVE A MINIMUM CROSS FALL OF 1 IN 40 (2.5%)
 - CONCRETE TO BE AIR ENTRAINED PAVING QUALITY AS PER SECTION 2.21 & TABLE 2.6 OF THE D.O.E. RECOMMENDATIONS FOR SITE DEVELOPMENT WORKS



3 TYPICAL NEW FOOTPATH
SCALE: 1:25



TYPICAL TACTILE PAVING DETAIL (IN-LINE UNCONTROLLED CROSSING)
SCALE: 1:25



TYPICAL GEOMETRY OF TABLE TOP (FOR USE AT INTERNAL PEDESTRIAN CROSSINGS)
SCALE: 1:25

FOR INFORMATION ONLY

S2.P01	ISSUED FOR INFORMATION	11.07.2023	BB	PD
Rev.	Note	Date	Drawn	Check

DONNACHADH O'BRIEN & ASSOCIATES CONSULTING ENGINEERS

UNIT 3C
ELM HOUSE
MILLENNIUM PARK
NAAS
CO. KILDARE

P +353 45 984 042
INFO@DOBAE
WWW.DOB.AE

Client: **MARINA QUARTER LTD.**

Project: **LANDS AT HAGGARDSTOWN, BLACKROCK, DUNDALK, Co. LOUTH**

Drawing Title: **PROPOSED TYPICAL SITEWORKS DETAILS**

Drawn By: BB	Checked By: PD	Approved By: DOB	Date: JULY 2023	Scale: 1:25	Sheet Size: A1
Project Number: DOBA2305	Drawing Number: 2305-DOB-XX-SI-DR-C-0110	Status Code: S2	Rev Number: P01		

NOTES:

- FOR STANDARD DOBA NOTES REFER TO DRAWING 2305-DOB-XX-SI-DR-S-001 & S-002
- REFER TO ARCHITECT'S DRAWINGS FOR ALL SITE & APPLICATION BOUNDARIES
- THIS DRAWING IS TO BE READ IN CONJUNCTION WITH ALL OTHER RELEVANT ARCHITECT'S & ENGINEER'S DRAWINGS AND SPECIFICATIONS
- USE FIGURED DIMENSIONS ONLY. DO NOT SCALE
- REFER TO SURVEY DRAWINGS FOR EXISTING SERVICES LAYOUTS AND MANHOLE INFORMATION
- ALL EXISTING SURFACES TO BE REINSTATED FOLLOWING DIVERSION OF SERVICES/CONSTRUCTION OF NEW SERVICES
- THE CONTRACTOR SHALL VERIFY ALL DIMENSIONS AND LEVELS WITH ARCHITECTURAL DRAWINGS PRIOR TO START OF CONSTRUCTION. ANY DISCREPANCIES TO BE NOTIFIED TO THE ENGINEER & ARCHITECT FOR RESOLUTION
- CONTRACTOR TO ENSURE ALL WATER & WASTEWATER RELATED WORKS ARE IN ACCORDANCE WITH THE IRISH WATER WATER INFRASTRUCTURE & WASTEWATER INFRASTRUCTURE CODE OF PRACTICE & STANDARD DETAILS DOCUMENTS
- TESTING OF ALL GRAVITY SEWERS AND MANHOLES TO BE IN ACCORDANCE WITH IRISH WATER CODE OF PRACTICE FOR WASTEWATER INFRASTRUCTURE SECTION 4.10 TESTING OF GRAVITY SEWERS & MANHOLES

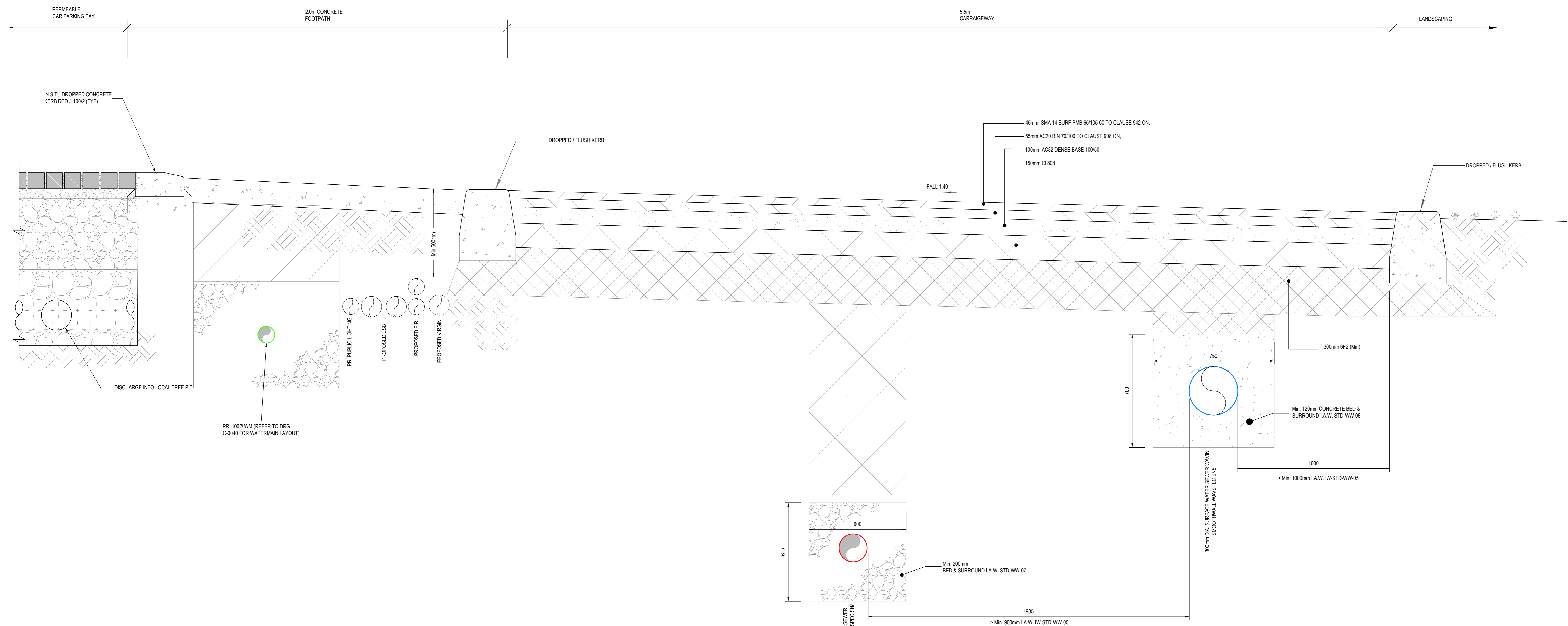
ROAD CONSTRUCTION NOTES:

- CAPPING LAYER MATERIAL SHOULD COMPRISE EITHER CRUSHED ROCK, NATURAL GRAVEL, CRUSHED GRAVEL OR CRUSHED CONCRETE. THE MATERIAL SHOULD HAVE A MAXIMUM SIZE OF 10MM AND THE MAXIMUM ALLOWABLE PASSING THE 75 MICRON SIEVE SHOULD BE 10%. THE MATERIAL SHOULD BE WELL GRADED THROUGHOUT ALL SIZES. REFER TO TABLE 1 FOR MINIMUM CONSTRUCTION THICKNESS OF CAPPING LAYER.
- THE CONTRACTOR IS TO VERIFY THE CBR VALUES TO DETERMINE THE THICKNESS OF CAPPING LAYER AS DIRECTED BY TABLE 1. SOFT SPOTS TO BE REMOVED AND REPLACED WITH SUITABLE GRANULAR MATERIAL.
- FOR SUB-GRADES WITH A CBR OF LESS THAN 2% THE ENGINEER'S ADVICE SHOULD BE SOUGHT ON THE USE OF A GEOTEXTILE SEPARATOR AND THE DEPTH OF CAPPING MATERIAL.
- PROVISIONAL ALLOWANCE TO BE MADE FOR SUBGRADE REINFORCEMENT (GEOTEXTILE OR GEGRID). EXTENT OF SAME TO BE CONFIRMED BY IN-SITU CBR TESTS PRIOR TO CONSTRUCTION.

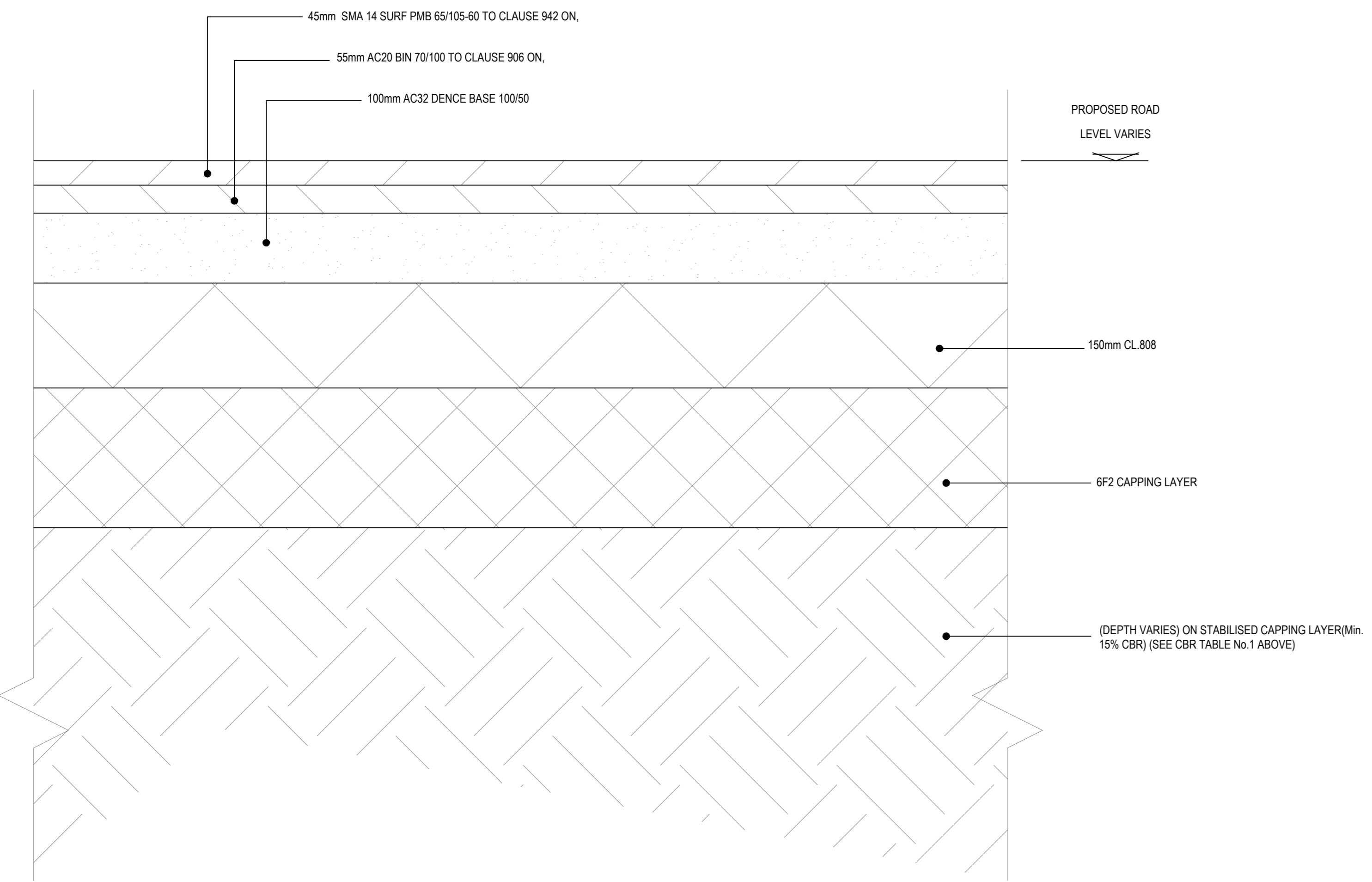
TABLE No. 1

C.B.R. OF SUB GRADE (%)	MINIMUM THICKNESS OF CAPPING LAYER (mm)
Less than 2	REFER TO NOTE 3
2-5	300
5-15	150
Greater than 15	0

NOTE: ALLOW FOR 4 NO. CBR TESTS TO BE CARRIED OUT IN LOCATIONS SPECIFIED BY THE ENGINEER



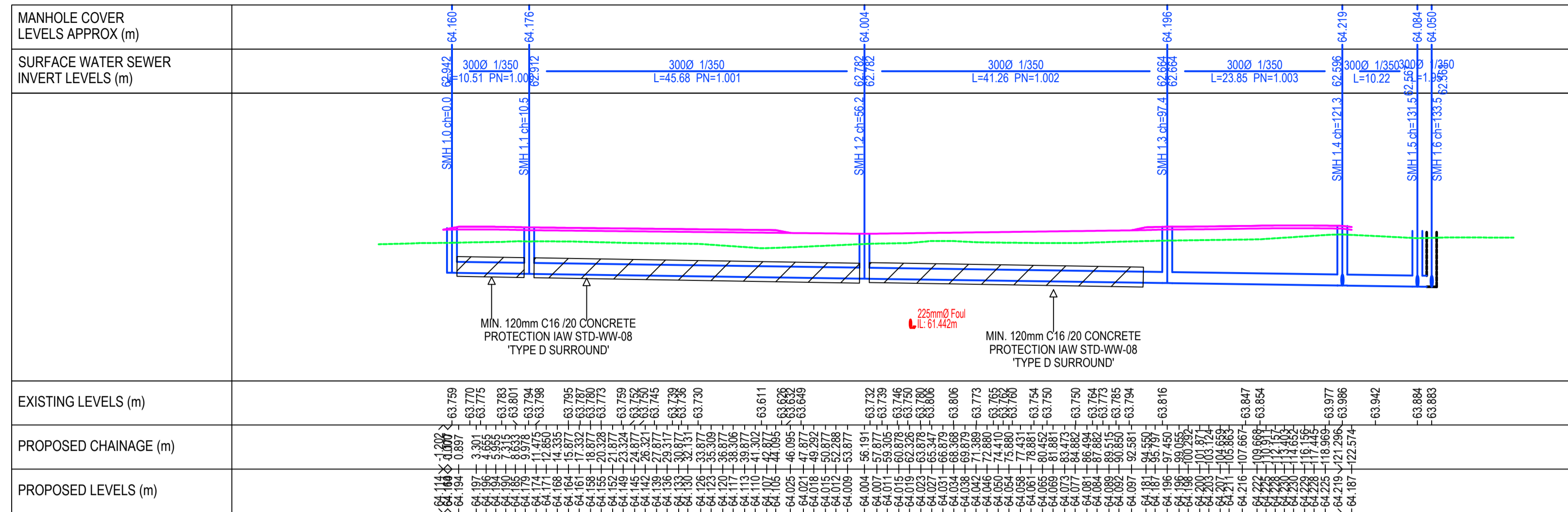
TYPICAL 5.5m WIDE ROAD SCALE 1:10



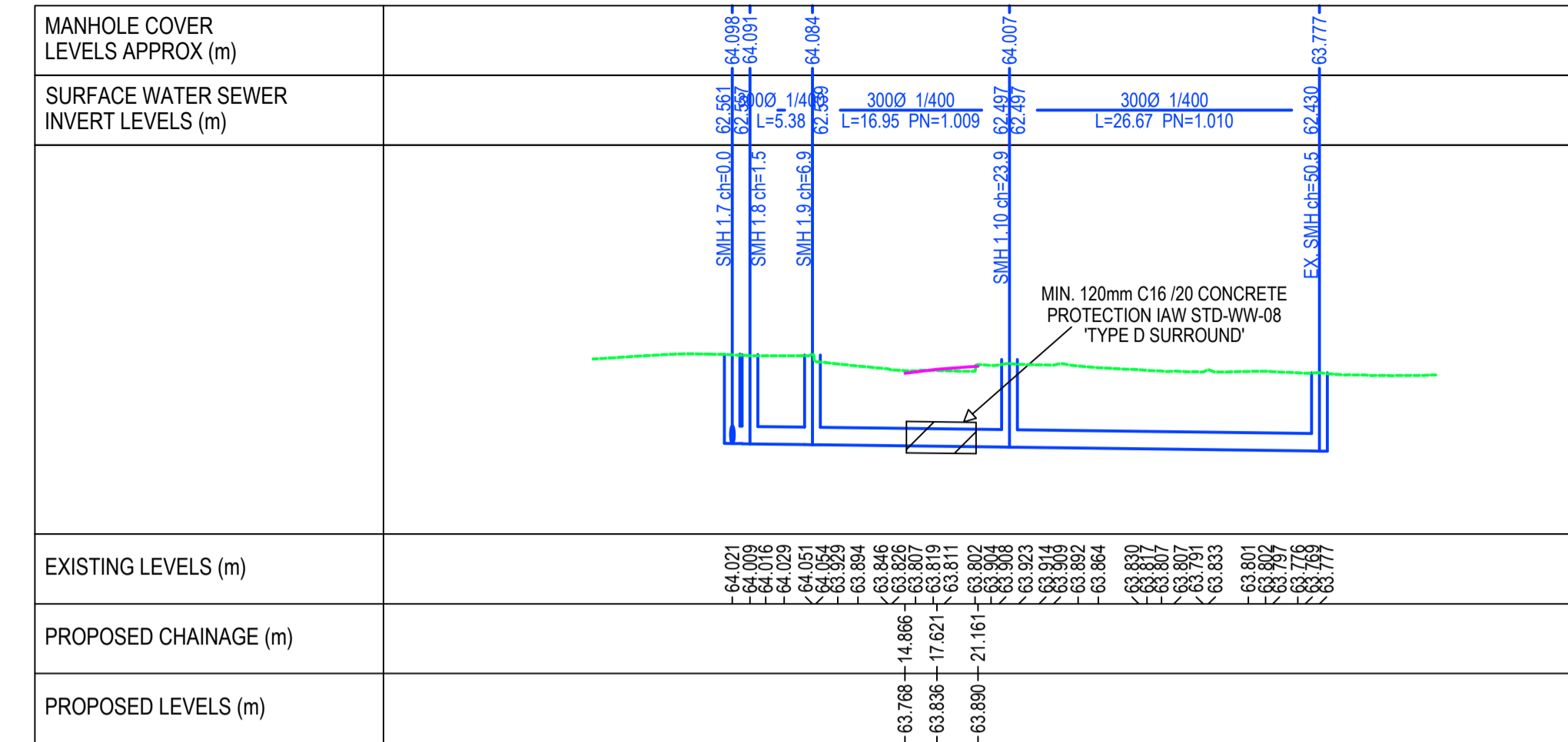
PROPOSED ROAD BUILD UP (5.5m WIDE) SCALE: 1:5

FOR INFORMATION ONLY

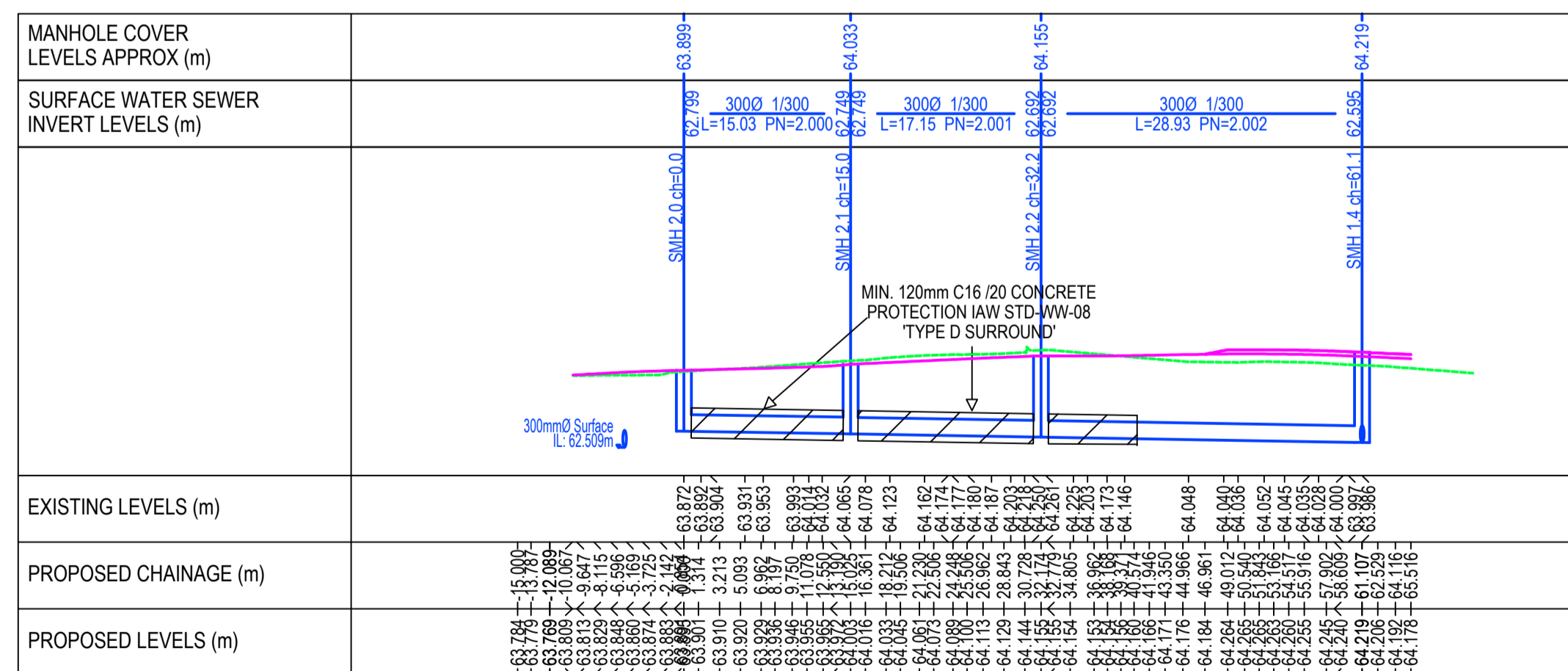
S2.P01 ISSUED FOR INFORMATION		11.07.2023	BB	PD
Rev.	Note	Date	Drawn	Check
DONNACHADH O'BRIEN & ASSOCIATES CONSULTING ENGINEERS		UNIT 5/C ELM HOUSE MILLENNIUM PARK NAAS CO. KILDARE	PHONE: +353 45 964 042 INFO@DOBRIENENGINEERS.IE WWW.DOBRIENENGINEERS.IE	
Client: KILDARE COUNTY COUNCIL ARCHITECTURAL SERVICES				
Project: ST EVINS PARK, MONASTEREVIN, CO. KILDARE				
Drawing Title: PROPOSED TYPICAL ROAD CROSS SECTIONS				
Drawn By: MF	Checked By: PD	Approved By: DOB	Date: FEB 23	Scale: AS SHOWN
Project Number: DOBA2305	Drawing Number: 2305-DOB-XX-SI-DR-C-0120	Status Code: S2	Rev Number: P01	Sheet Size: A0



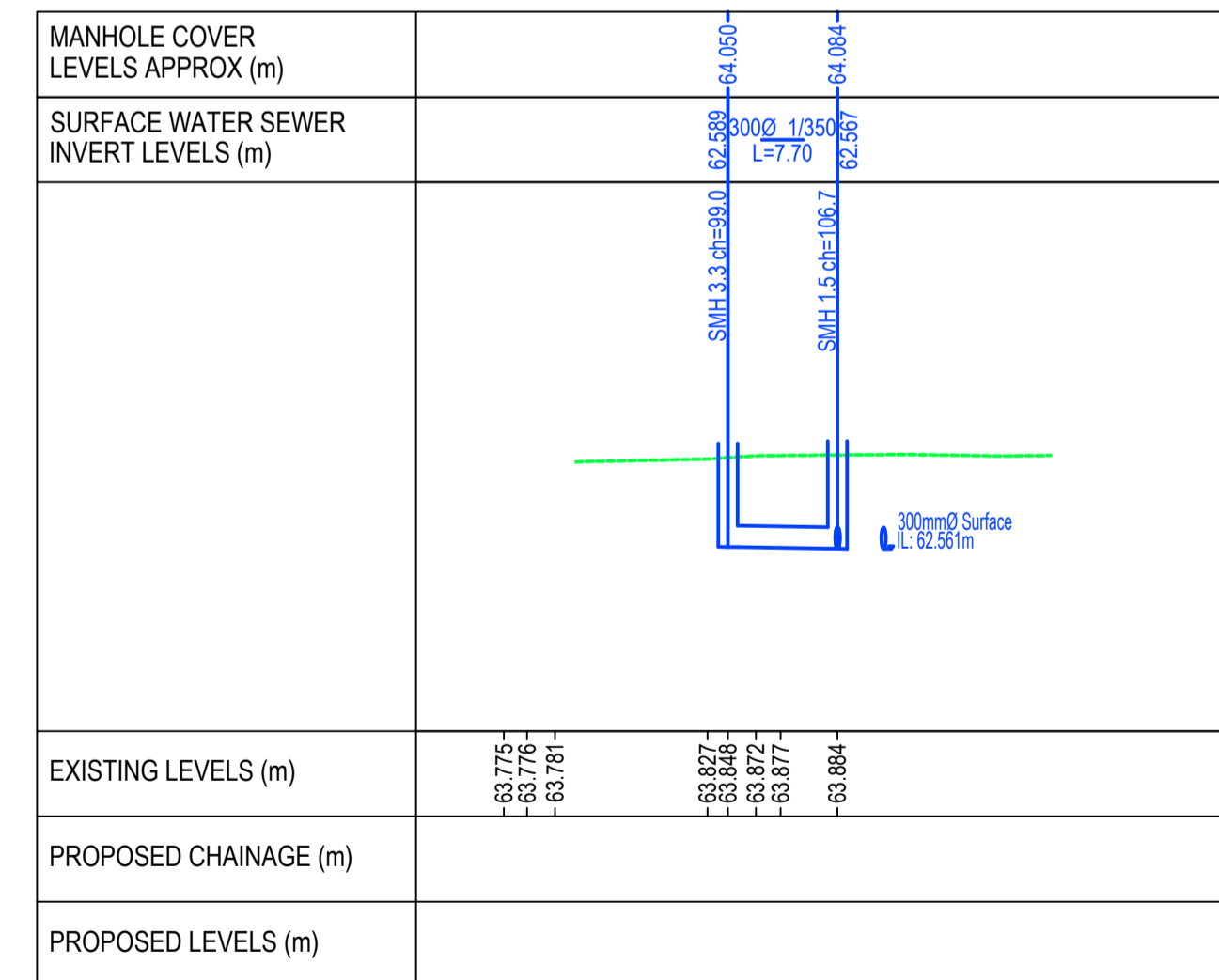
PROPOSED LONGITUDINAL SECTION SMH 1.0 - SMH 1.6
SCALE 1:500



PROPOSED LONGITUDINAL SECTION SMH 1.7 - EX. SMH
SCALE 1:500



PROPOSED LONGITUDINAL SECTION SMH 2.0 - SMH 1.4
SCALE 1:500



PROPOSED LONGITUDINAL SECTION SMH 3.3 - SMH 1.5
SCALE 1:500

LEGEND:

- PROPOSED SURFACE WATER
- PROPOSED FOUL WATER
- EXISTING GROUND/ROAD LEVEL
- PROPOSED ROAD LEVEL

FOR INFORMATION ONLY

S2.P02	ISSUED FOR INFORMATION ONLY	12.09.2023	EC	PD
S2.P01	ISSUED FOR INFORMATION ONLY	10.07.2023	EC	PD
Rev.	Note	Date	Drawn	Check

DONNACHADH O'BRIEN
& ASSOCIATES CONSULTING ENGINEERS

UNIT 5C
ELM HOUSE
MILLENNIUM PARK
NAAS
CO. KILDARE

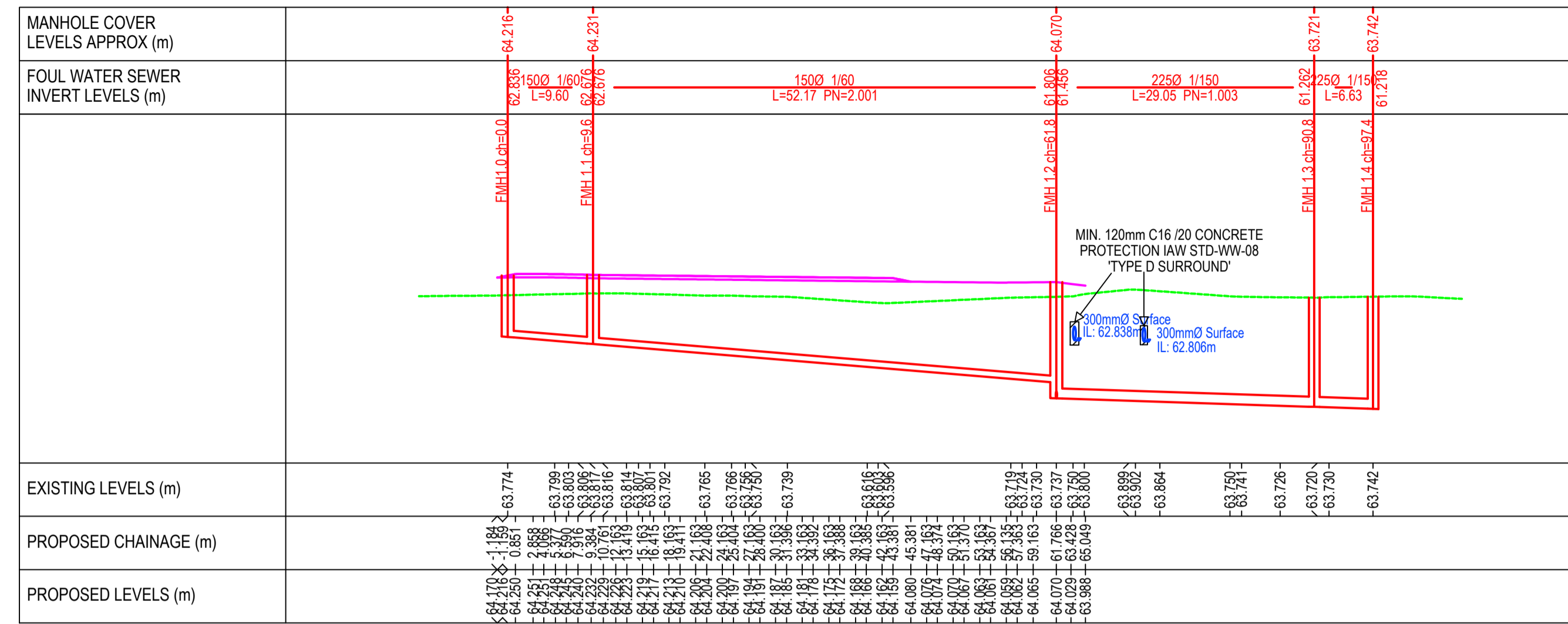
PHONE
+353 45 984 042
INFO@DOBRIEN-ENGINEERS.IE
WWW.DOBRIEN-ENGINEERS.IE

Client: KILDARE COUNTY COUNCIL ARCHITECTURAL SERVICES

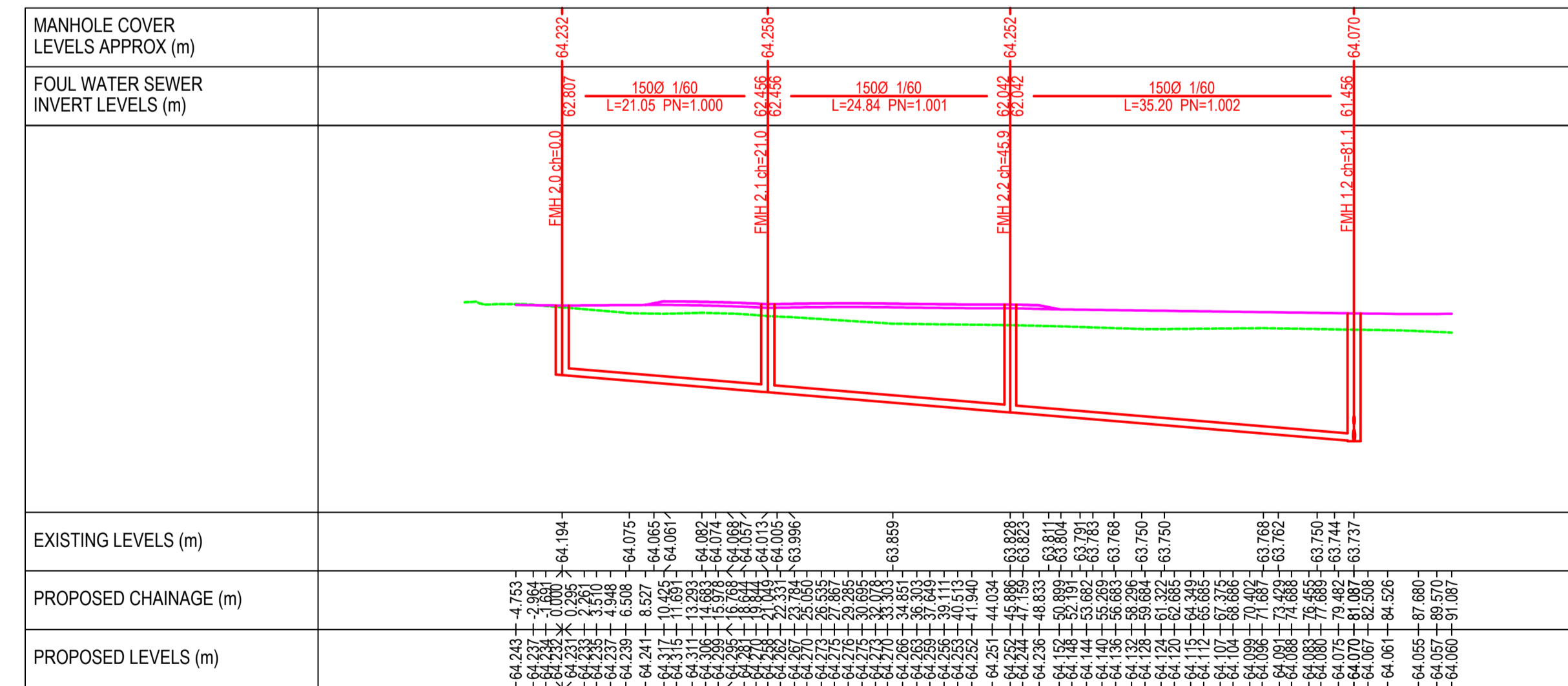
Project: ST EVINS PARK, MONASTEREVIN, CO. KILDARE

Drawing Title: Pr. SURFACE WATER LONGITUDINAL SECTIONS

Drawn By: EC	Checked By: PD	Approved By: DOB	Date: FEB 2023	Scale: 1:500	Sheet Size: A1
Project Number: DOBA2305	Drawing Number: 2305-DOB-XX-SI-DR-C-0140	Status Code: S2	Rev Number: P02		



PROPOSED LONGITUDINAL SECTION FMH 1.0 - FMH 1.4
SCALE 1:500



PROPOSED LONGITUDINAL SECTION FMH 2.0- FMH 1.2
SCALE 1:500

LEGEND:

- PROPOSED SURFACE WATER (Blue line)
- PROPOSED FOUL WATER (Red line)
- EXISTING GROUND/ ROAD LEVEL (Green dashed line)
- PROPOSED ROAD LEVEL (Magenta line)

FOR INFORMATION ONLY

S2.P02	ISSUED FOR INFORMATION ONLY	12.09.2023	EC	PD
S2.P01	ISSUED FOR INFORMATION ONLY	10.07.2023	EC	PD
Rev.	Note	Date	Drawn	Check

DONNACHADH O'BRIEN & ASSOCIATES CONSULTING ENGINEERS	UNIT 5C ELM HOUSE MILLENNIUM PARK NAAS CO. KILDARE	PHONE +353 45 984 042
		INFO@DOBRIEN-ENGINEERS.IE WWW.DOBRIEN-ENGINEERS.IE

Client: KILDARE COUNTY COUNCIL ARCHITECTURAL SERVICES

Project: ST EVINS PARK, MONASTEREVIN, CO. KILDARE

Drawing Title: Pr. WASTEWATER LONGITUDINAL SECTIONS

Drawn By: EC	Checked By: PD	Approved By: DOB	Date: FEB 2023	Scale: 1:500	Sheet Size: A1
Project Number: DOBA2305	Drawing Number: 2305-DOB-XX-SI-DR-C-0145	Status Code: S2	Rev Number: P02		